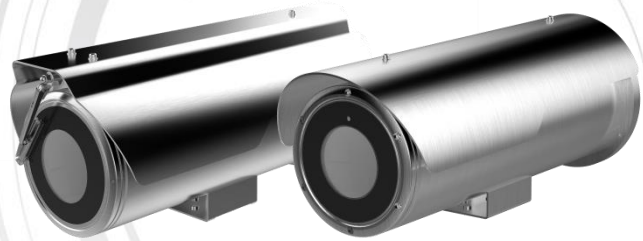


DS-2CD6626B-IZH(R)S(2.8 – 12 mm)/(8 – 32 mm) 2 MP Anti-Corrosion Bullet Camera



DARKFIGHTER



Vsmart IPC

- 1/1.8" Progressive Scan CMOS
- 1920 × 1080 @ 60fps
- Motorized zooming and auto focus
- H.265, H.265+, H.264, H.264+
- Ultra-low light
- 120dB WDR
- 6 behavior analyses, 3 exception detections, and face detection
- IR range: up to 150 m for 8 – 32 mm lens, up to 80 m for 2.8 – 12mm lens
- 316L stainless steel housing
- Anti-corrosion standard: C5-M, NEMA 4X
- IP67



Function Description

Smart

- 6 behavior analyses, 3 exception detections, face detection
- Smart recording: Support edge recording and dual-VCA
- Smart encoding: Support low bit rate, low latency, ROI enhance encoding
- H.265, H.265+, H.264, H.264+

Image

- 1920 × 1080 @60fps
- Support target cropping, details can be seen with low bandwidth
- Streaming smoothness setting for different requirements of image quality and fluency
- Support H.265+/H.265/H.264+/H.264/MJPEG video compression, multi-level video quality configuration; support Baseline Profile/Main Profile/High Profile H.264 encoding complexity, and Main Profile for H.265 video complexity
- Multiple OSD color: Black & white self-adaptive; Custom
- 120dB WDR is supportable for backlight environment
- Support defog, HLC, BLC, EIS, lens distortion correction

System

- Support ONVIF (profile S/profile G), CGI, PSIA, ISAPI protocol
- Support three video streams, and support 20 channels live view at the same time
- Lightning protection, surge protection, voltage transient protection, anti-static protection

Interface

- Support standard 128G microSD/SDHC/SDXC card storage
- Support RJ45 10M/100M/1000M self-adaptive Ethernet port
- Support Audio I/O
- Support Alarm I/O
- Support CVBS analog output (4CIF resolution)

Security

- Support three-level user authentication management, user and password authorization, and IP address filtering
- Support security certificate as HTTPS
- Lock user IP after certain times failed login attempts

Specifications

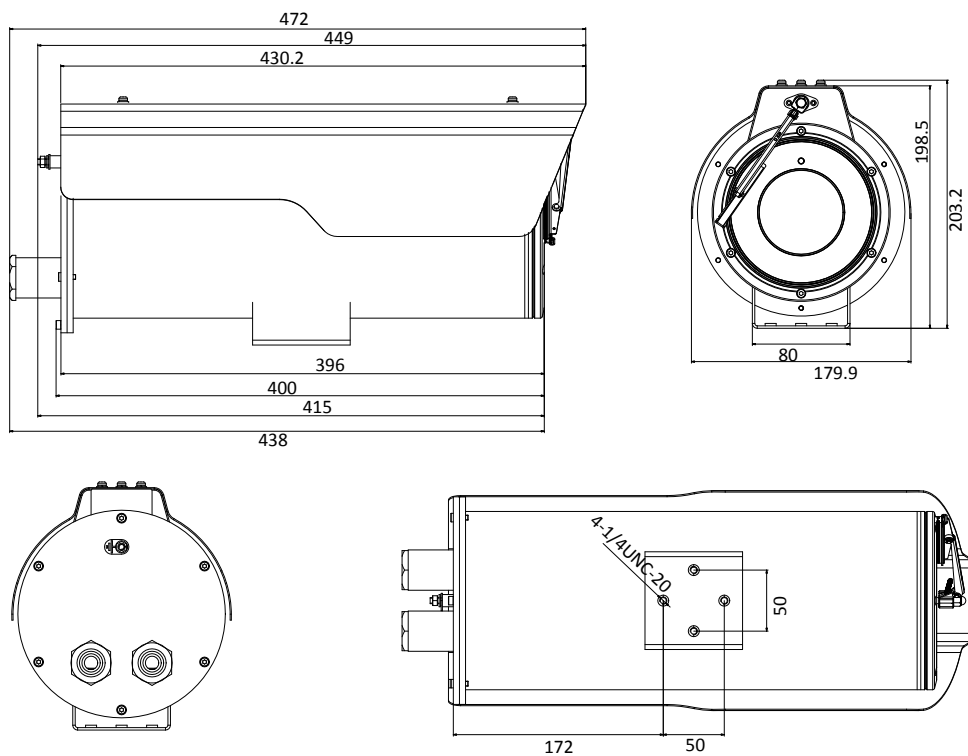
| Camera | |
|---------------------------------|--|
| Image Sensor | 1/1.8" Progressive Scan CMOS |
| Min. Illumination | 0.002 Lux @ (F1.2, AGC ON), 0 Lux with IR |
| Shutter Speed | 1 s – 1/100,000 s |
| Slow Shutter | Support |
| Lens | 2.8 – 12 mm, F1.4: horizontal field of view, 90.1° to 31° 8 – 32 mm, F1.4: horizontal field of view, 42.2° to 13.5° Motorized zooming and auto focus |
| Auto-iris | DC drive |
| Day & Night | IR Cut Filter |
| Digital Noise Reduction | 3D DNR |
| WDR | 120dB |
| Compression Standard | |
| Video Compression | Main stream: H.265/H.264 Sub stream: H.265/H.264/MJPEG Third stream: H.265/H.264/MJPEG |
| H.264 Type | Baseline profile/main profile/high profile |
| H.264+ | Support |
| H.265 Type | Main profile |
| H.265+ | Support |
| Video Bit Rate | 32 Kbps – 16 Mbps |
| Audio Compression | G.711/G.722.1/G.726/MP2L2/PCM |
| Audio Bit Rate | 64Kbps(G.711)/16Kbps(G.722.1)/16Kbps(G.726)/32-192Kbps(MP2L2) |
| Image | |
| Max. Resolution | 1920 × 1080 |
| Main Stream Max. Frame Rate | 50Hz: 50fps (1920 × 1080, 1280 × 960, 1280 × 720) 60Hz: 60fps (1920 × 1080, 1280 × 960, 1280 × 720) |
| Sub Stream Max. Frame Rate | 50Hz: 25fps (704 × 576, 640 × 480, 352 × 288, 320 × 240) 60Hz: 30fps (704 × 480, 640 × 480, 352 × 240, 320 × 240) |
| Third Stream Max. Frame Rate | 50Hz: 25fps (1920 × 1080, 1280 × 960, 1280 × 720, 704 × 576, 640 × 480, 352 × 288, 320 × 240) 60Hz: 30fps (1920 × 1080, 1280 × 960, 1280 × 720, 704 × 480, 640 × 480, 352 × 240, 320 × 240) |
| Image Enhancement | BLC/HLC/3D DNR/Defog/EIS |
| Image Setting | Rotate mode, saturation, brightness, contrast, etc., adjustable by client software or web browser |
| Region of Interest | Support 4 customized region for each stream, and face dynamic tracking |
| Target Cropping | Support |
| Day/Night Switch | Auto/Schedule/Triggered by Alarm In |

| | |
|-----------------------------|--|
| Picture Overlay | LOGO picture can be overlaid on video with 128 × 128 24bit bmp format |
| Network | |
| Network Storage | Support microSD/SDHC/SDXC card (128G), local storage and NAS (NFS,SMB/CIFS), ANR |
| Alarm Trigger | Motion detection, tampering alarm, network disconnected, IP address conflict, illegal login, HDD full, HDD error |
| Protocols | TCP/IP, ICMP, HTTP, HTTPS, FTP, DHCP, DNS, DDNS, RTP, RTSP, RTCP, PPPoE, NTP, UPnP, SMTP, SNMP, IGMP, 802.1X, QoS, IPv6, UDP, Bonjour |
| General Function | One-key reset, anti-flicker, three streams, heartbeat, password protection, privacy mask, watermark, IP address filter |
| Standard | ONVIF (PROFILE S, PROFILE G), PSIA, CGI, ISAPI |
| Interface | |
| Communication Interface | 1 RJ45 10M/100M/1000M self-adaptive Ethernet port |
| Audio | 1 input, 1 output |
| Alarm | 1 input, 1 output |
| Video Output | 1Vp-p composite output (75 Ω/BNC) |
| On-board storage | Built-in microSD/SDHC/SDXC slot, up to 128 G |
| Reset Button | Yes |
| Housing Interface | 2 anti-corrosion inlets protected by a metal hose |
| Audio | |
| Environment Noise Filtering | Support |
| Audio I/O | Support |
| Audio Sampling Rate | 16kHz/32kHz/44.1kHz/48kHz |
| Smart Feature-set | |
| Behavior Analysis | Line crossing detection, Intrusion detection, Region entrance, Region exiting, Unattended baggage, Object removal |
| Line Crossing Detection | Cross a pre-defined virtual line |
| Intrusion Detection | Enter and loiter in a pre-defined virtual region |
| Region Entrance | Enter a pre-defined virtual region from the outside place |
| Region Exit | Exit from a pre-defined virtual region |
| Unattended Baggage | Objects left over in the pre-defined region such as the baggage, purse, dangerous materials |
| Object Removal | Objects removed from the pre-defined region, such as the exhibits on display. |
| Exception Detections | Scene change detection, defocus detection, audio exception detection |
| Face detection | Human face appears in the image can be detected and trigger linkage method |
| General | |
| Operating Conditions | -40 °C to + 60 °C (-40 °F to +140 °F), Humidity 95% or less (non-condensing) |
| Power Supply | AC24V, 1.7A, terminal block |
| Power Consumption | Max. 40 W |
| Material | 316L stainless steel |
| Anti-Corrosion Standard | C5-M, NEMA 4X |
| Ingress Protection | IP67 |
| IR Range | 2.8 – 12 mm lens: up to 80 m 8 – 32 mm lens: up to 150 m |
| Smart Heater | Support |
| Wiper | With –R model support |
| Dimensions | With – R model camera: 472 × 180 × 203 mm (18.6" × 7.1" × 8") Without – R model camera: 472 × 180 × 190 mm (18.6" × 7.1" × 7.5") Package: 614 × 278 × 343 mm (24.2" × 10.9" × 13.5") |

| | |
|--------|---|
| Weight | With – R model camera: 10.95 kg (24.14 lb.) Without – R model camera: 9.75 kg (21.5 lb.) |
|--------|---|

Dimensions

Model with Wiper



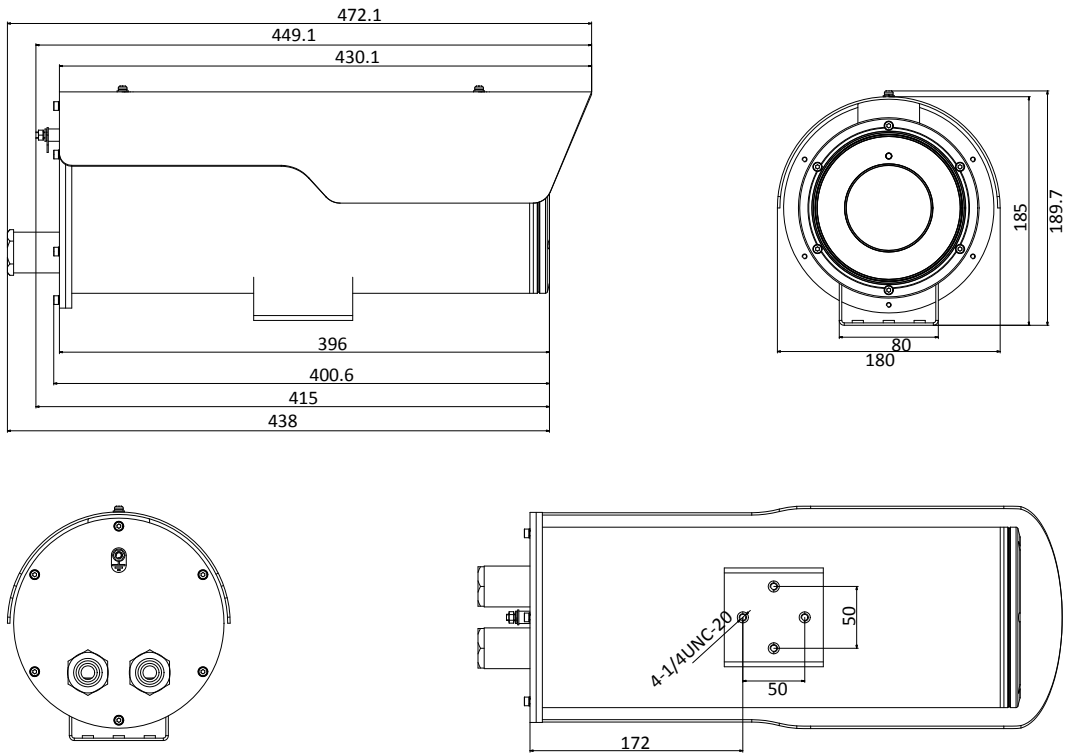
Model with NO Wiper

Available Models

DS-2CD6626B-IZHRS (2.8 – 12 mm), DS-2CD6626B-IZHRS (8 – 32 mm)

DS-2CD6626B-IZHS (2.8 – 12 mm), DS-2CD6626B-IZHS (8 – 32 mm)

**Model with “-R” supports wiper.*



Unit: mm

Accessories



DS-1284ZJ-M
Junction Box



DS-1701ZJ
Wall Mount Bracket