

Lilley & Gillie Walker Wind Speed and Direction Sensors

A ROBUST RANGE OF LIGHTWEIGHT AND HEAVYWEIGHT MASTHEAD UNITS, ALL PROVIDING THE SAME OUTPUT, SUITABLE FOR A VARIETY OF APPLICATIONS



P298

P297

P299

Masthead Units Design Features

- Solid state principles for wind speed and direction
- No calibration required, allowing simple installation of multi indicator systems
- Anodised aluminium housing
- Simple installation, plug/socket cable connection
- Standard cable, P293, for each masthead unit
- The vane and cup units have a non-contact sensing operation with less moving parts giving less friction, better reliability and longer life, dependant on the bearing quality only
- Processing carried out within the masthead units to provide an NMEA 0183 output signal
- Power supply 24vDC
- Interchangeable with earlier sensor units

Complies with current IMO,
ISO and IEC requirements
and recommendations



LILLEY & GILLIE

Directing International Shipping since 1812



P292

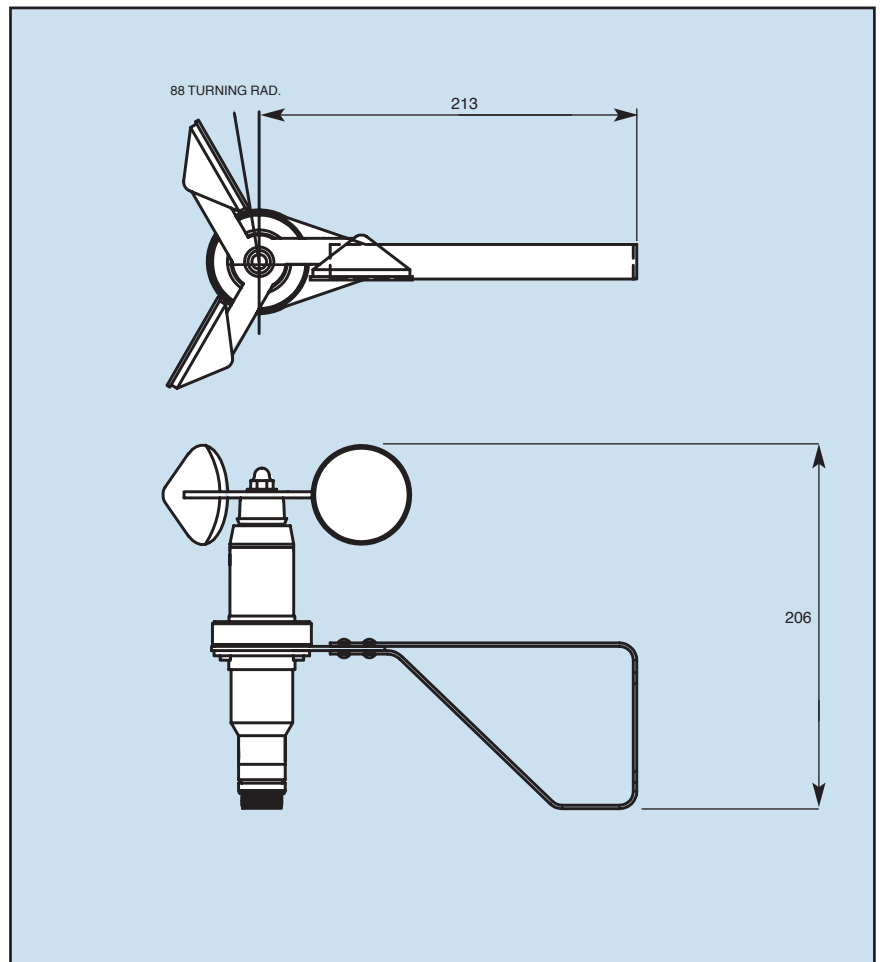
P300

P296

Walker – Wind Speed and Direction Sensors for all applications

Walker P297 Wind Speed Sensor

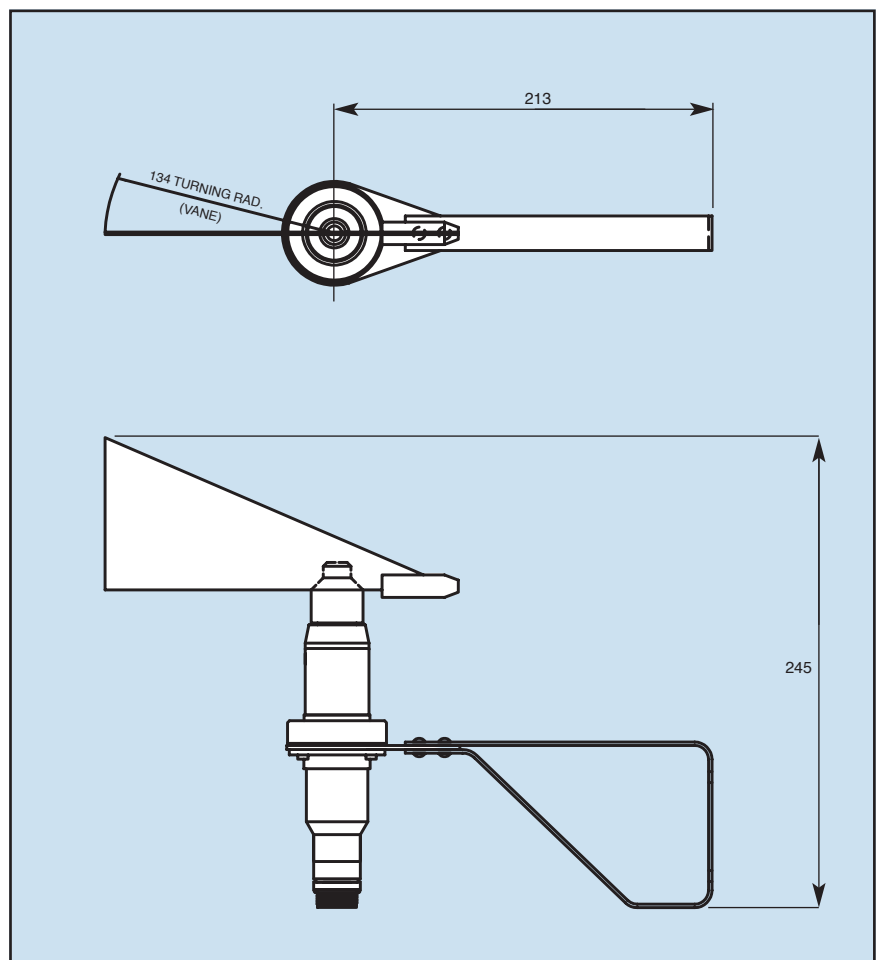
Accuracy	0.5kt
Bearing	ABEC 3, shielded stainless steel
Cable Entry	Bottom
Colour	Black
Moisture protection	IP68
Mounting bracket	Stainless steel
Operation	Rotating cups
Output	NMEA 0183
Power requirement	< 1 watt
Weight	0.50 kg



Walker P298 Wind Direction Sensor

- Simple alignment by rotating the sensor within the bracket.

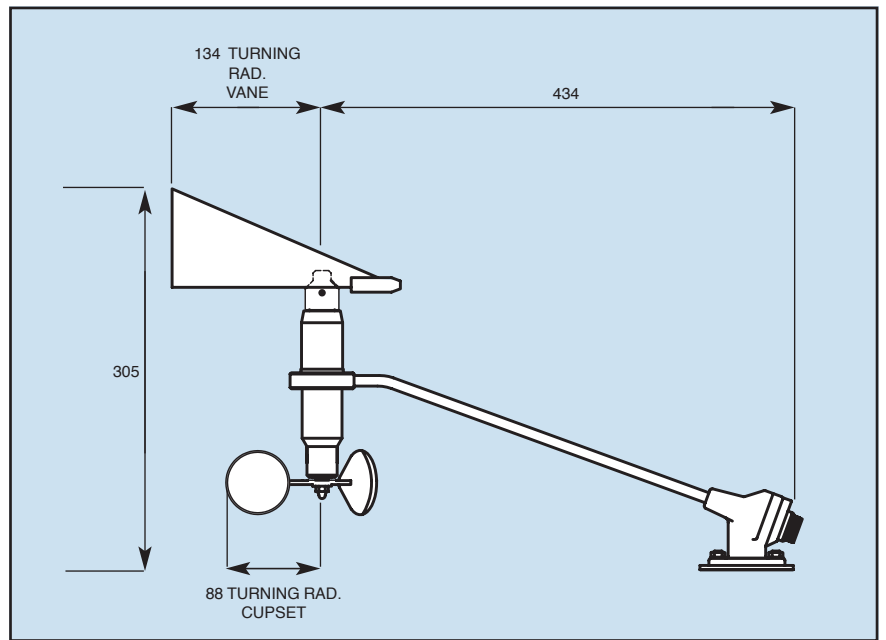
Accuracy	+/- 3 deg
Bearing	ABEC 3, shielded stainless steel
Cable Entry	Bottom
Colour	Black
Moisture protection	IP68
Mounting bracket	Stainless steel
Operation	Vane
Output	NMEA 0183
Power requirement	< 1 watt
Weight	0.54 kg



Walker P296 Wind Speed and Direction Sensor

- Lightweight and compact.
- Slotted base for alignment.

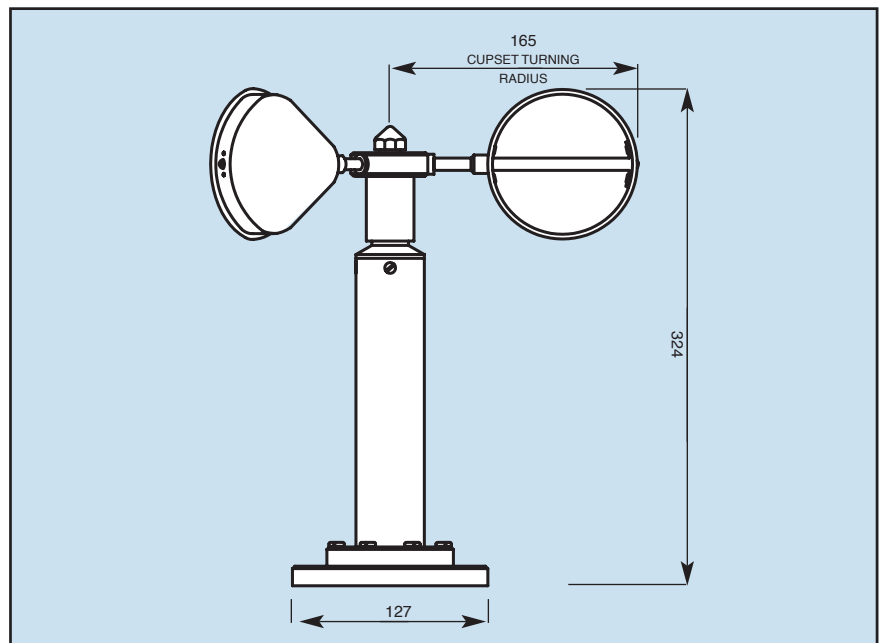
Accuracy Speed	0.5kt
Accuracy Direction	+/- 3deg
Bearing	ABEC 3, shielded stainless steel
Cable Entry	Side
Colour	Black
Moisture protection	IP68
Mounting arm	Stainless steel
Operation	Vane & Rotating Cups
Output	NMEA 0183
Power requirement	< 1 watt
Weight	0.72 kg



Walker P299 Wind Speed Sensor

- Top of the range for commercial vessels.
- Larger cups for lower start up speed.
- Higher quality bearing material.
- Heavy duty fitting.

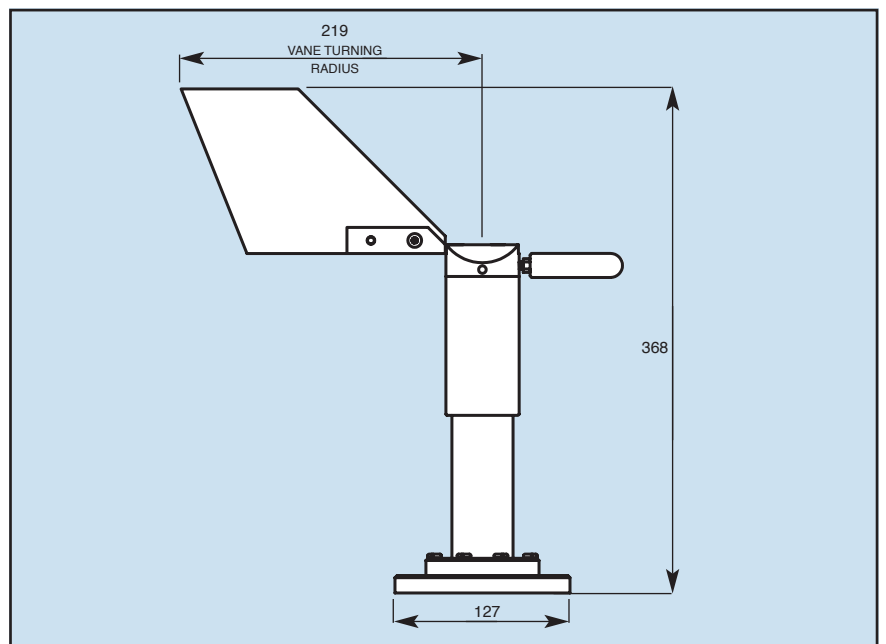
Accuracy	0.5kt
Bearing	ABEC 5, shielded stainless steel
Cable Entry	Bottom
Colour	Black
Moisture protection	IP68
Operation	Rotating cups
Output	NMEA 0183
Power requirement	< 1 watt
Weight	1.5 kg



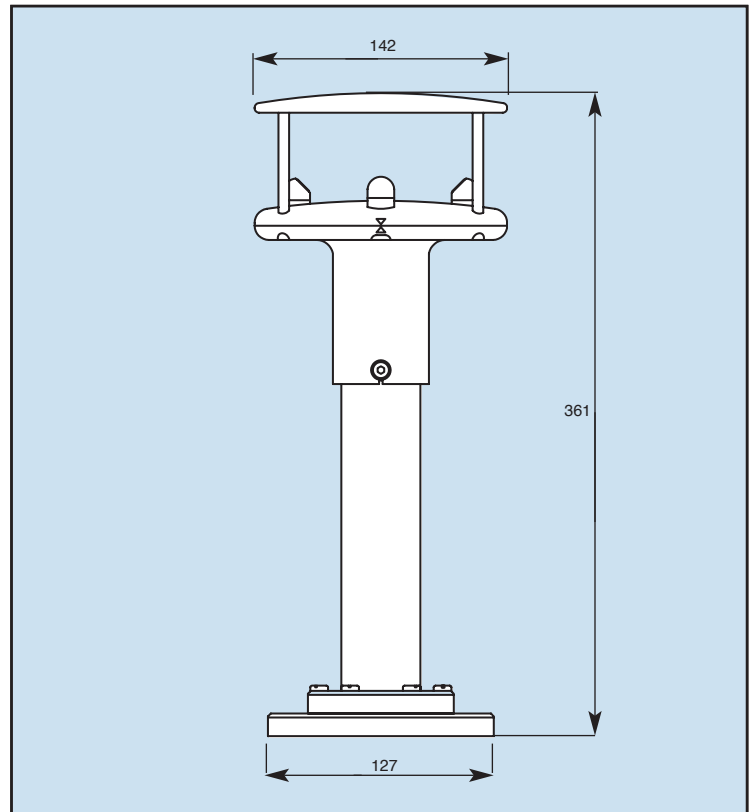
Walker P300 Wind Direction Sensor

- Top of the range for commercial vessels.
- Higher accuracy.
- Higher quality bearing material.
- Heavy duty fitting.
- Slotted base for alignment.

Accuracy	less than +/- 1 deg
Bearing	ABEC 5, shielded stainless steel
Cable Entry	Bottom
Colour	Black
Moisture protection	IP68
Operation	Vane
Output	NMEA 0183
Power requirement	< 1 watt
Weight	1.5 kg



Lilley & Gillie - Walker Wind Speed and Direction Sensors



Walker P292 Wind Speed and Direction Sensor

- No accuracy degradation due to wear of moving parts.
- Low start up speed (0.09 knots, 0.01 m/s).
- Slotted base for alignment.
- No maintenance.

Accuracy Speed	+/- 2%
Accuracy Direction	+/- 3 deg
Cable Entry	Bottom
Colour	Black
Moisture protection	IP65
Operation	Ultrasonic
Output	NMEA 0183
Power requirement	< 1.25 Watt
Weight	1.48 kg

Walker P293 Cable Assembly

Connector	Fitted one end for connection to masthead units, rated IP68.
Construction	4 core, each 16/0.2mm (0.5mm CSA), overall screen.
Length	20 metres as standard, longer lengths made to order.



Manufacturer of magnetic compasses, TMC's and nautical instruments. Adjusting, testing and repair of magnetic compasses by certificated compass adjusters.



Manufacture of type approved navigation and data instrumentation for commercial vessels.



Manufacture of military grade instrumentation systems for naval and paramilitary vessels.



PC MARITIME
ECDIS and electronic chart systems.



International Admiralty Chart Agent. Supply and updating services for BA, US, Primar and numerous other publishers' charts, publications and books including electronic charts (Raster and S57) and digitised products.



UK sales of specialised Avecs software including emergency control, planned maintenance, quality document management and others.



UK sales and service of Yokogawa gyros, autopilots and logs.



Distribution of lighting products including navigation lights, navigation light switch panels and searchlights.



John Lilley & Gillie Ltd.,
Clive Street, North Shields, Tyne & Wear. NE29 6LF. England.
Tel: +44(0)191 257 2217
Fax: +44(0)191 257 1521
E-Mail: sales@lilleyandgillie.co.uk
Web: www.lilleyandgillie.co.uk

LILLEY & GILLIE

Directing International Shipping since 1812