

Bridge Navigational Watch Alarm System

BW508

Operation & Installation Manual



NINGLU

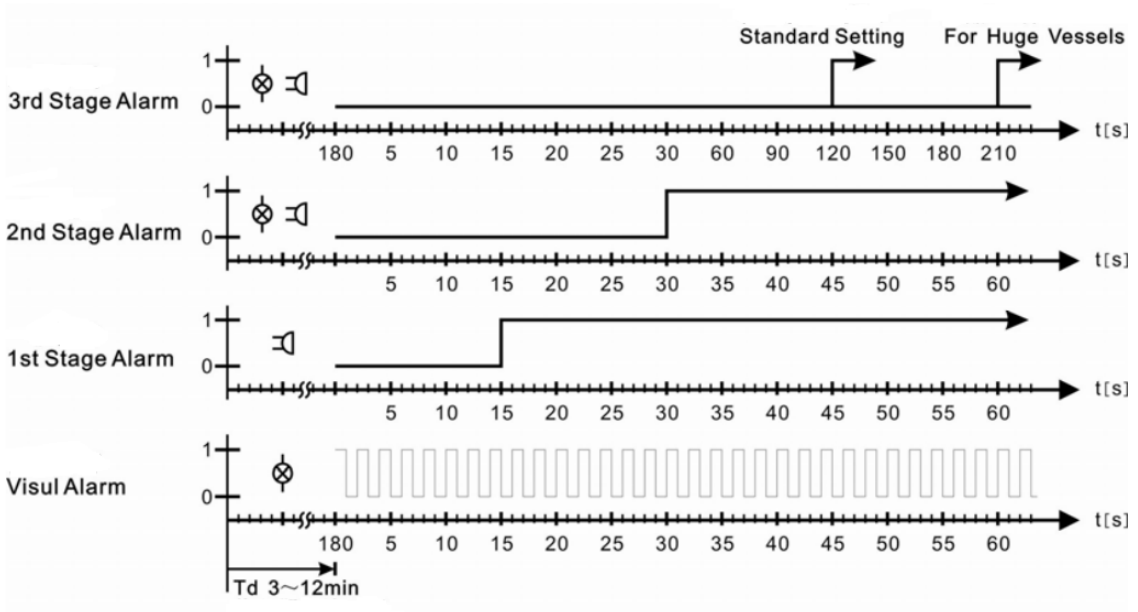
Document: NLT-BW508-SSEN
Edition: V121225

Contents

- Foreword 1
- System description 2
- Specification..... 4
- Setting 5
 - Select dormant period (Td) 5
 - Adjust buzzer characteristics of 1st Stage Alarm 5
 - Adjust buzzer’s volume of 1st Stage Alarm 6
 - Adjust time period of 2nd Stage Alarm 6
 - Adjust backlight of LCD and BW508R 7
- Operational mode 8
 - Automatic 8
 - Manual ON 8
 - Manual OFF..... 8
- Operation..... 9
 - Dormant 9
 - Visual indications 9
 - 1st Stage Alarm 9
 - 2nd Stage Alarm 10
 - 3rd Stage Alarm 10
 - Reset 11
 - Emergency call 11
 - Transfer of alarms 11
 - System output 12
 - Security..... 12
- Test 13
- Malfunctions..... 15
- System Installation 16
 - Installation dimension 16
 - System Diagrams 19
 - BW508 Internal Wiring Diagram 20
 - BW508 External Wiring Diagram 21

Foreword

Bridge Navigational Watch Alarm System is to monitor the awareness of the Officer of the Watch (OOW) and automatically alerts the Master or another qualified OOW if for any reason the OOW becomes incapable of performing the OOW's duties. This purpose is achieved by a series of indications and alarms to alert first the OOW and, if he is not responding, then to alert the Master or another qualified OOW. Additionally, BW508 also provide the OOW or other equipment with a means of emergency calling for immediate assistance.



Time table

System description

The whole Bridge Navigational Watch Alarm System consists of operating device, connecting module, reset button, 1st Stage Alarm, 2nd Stage Alarm, 3rd Stage Alarm and AC adapter.

Operating device

BW508MAIN

Display screen:	2*16 LCD
Internal buzzer:	use for 1 st Stage Alarm
Key switch S1:	choose operational modes and setting
Rotary encoder S2:	use for system's setting and adjustment
Emergency call S3:	use for emergency call's trigger and reset
Power failure indicator L1:	indicate main power supply failure
Run normally indicator L2:	indicate system run normally
Auto indicator:	indicate system in auto mode
ON indicator:	indicate system in manual on mode
OFF indicator:	indicate system in manual off mode
Installation Location:	bridge area
Installation mode:	flush or vertical mounting

Connecting module

BW508CONN

Installation Location:	bridge area
Installation mode:	TS35 rail mounting

Reset button BW508R

Installation Location: bridge area

Installation mode: type A : flush mounting , type B : wall mounting

Number of installations: max.6

1st Stage Alarm BW508RA1

Installation Location: bridge wings

Installation mode: wall mounting

Number of installations: max.3

2nd Stage Alarm BW508A2

Installation Location: officer's cabin area

Installation mode: type A : wall mounting , type B : flush mounting

Number of installations: max.4

3rd Stage Alarm BW508A3

Installation Location: officer's corridor area

Installation mode: wall mounting

Number of installations: max.2

AC Adapter BW508ADPT

Installation Location: bridge area

Installation mode: wall mounting

Specification

- Operating temperature:** - 5 °C ~ +55 °C
- Relative humidity :** 93% + 2% (at 40±3°C)
- Power supply:** 24VDC (nominal)
- Power consumption:** less than 75W
- Timings accuracy:** less than 5 % or 5s
- 1st Stage Alarm tone:** 8 kinds
- 1st Stage Alarm volume level:** 75~85db/1m
- 2nd Stage Alarm volume level:** 75~120db/1m

Degree of enclosure& safety distances to magnetic compass

Model type	degree of enclosure	Safety distances to magnetic compass
BW508MAIN	IP20	Standard 0.49m Steering 0.35m
BW508CONN	IP00	Standard 0.42m Steering 0.37m
BW508RA1	IP65	/
BW508R,A2,A3	IP20	/


Interfacing

Interfacing Name	I/O	Form
heading or track control system	Input	switching value
emergency call	Input	switching value
external reset devices	Input	switching value
status output	Output	ALR/ switching value
malfunction output	Output	switching value

Setting

Select dormant period (Td)

In case that authorized person (Master) demands to select other dormant period, person has to turn key switch S1 on BW508MAIN to position “SET”. In this position only dormant period can be chosen by using rotary encoder S2. Display is showing as follow




SET MAIN PERIOD
3...12 MIN **3**

By turning rotary encoder S2 in clock wise direction, value is increasing. By tuning rotary encoder S2 in counter clock wise direction, value is decreasing. Possible main period value is limited between 3 and 12 min. Step width is 1 min. By turning key switch S1 into centre position, system accepts new value.

Adjust buzzer characteristics of 1st Stage Alarm

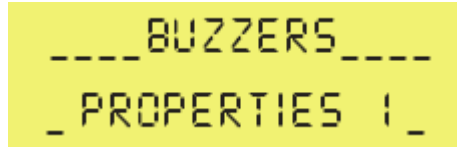
1st Stage Alarm internal buzzer’s sound characteristics can be adjusted.

By turning key switch S1 on BW508MAIN to position “SET”. Display is showing as follow



SET MAIN PERIOD
3...12 MIN **3**

Now push rotary encoder S2 on operating device BW508MAIN repeatedly till the display is showing as follow



Now turn rotary encoder S2 to choose an adequate buzzer characteristic. By pushing rotary encoder S2 display is changing and system accepts adjusted value.

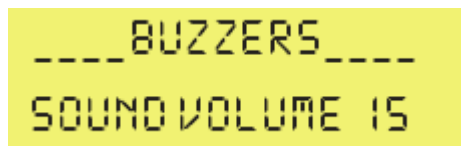
Adjust buzzer's volume of 1st Stage Alarm

1st Stage Alarm internal buzzer's sound volume (1~15) can be adjusted.

To adjust internal buzzer's volume turn key switch S1 on BW508MAIN to position "SET". Display is showing as follow



Now push rotary encoder S2 on BW508MAIN repeatedly till the display is showing as follow



Now turn rotary encoder S2 in counter clock wise direction to decrease buzzer's sound volume or in clock wise direction to increase sound volume. By pushing rotary encoder S2 display is changing and system accepts adjusted value.

Adjust time period of 2nd Stage Alarm

Adjustment could be necessary due to large vessel. Period can be adjusted to max. 180sec (default value is 90sec), to allow sufficient time

for back-up officer and/or Master to reach bridge area before watch alarm system is triggering 3rd Stage Alarm .

To adjust a.m. time period turn key switch S1 on BW508MAIN to position “SET”. Display is showing as follow



Now push rotary encoder S2 on BW508MAIN repeatedly till the display is showing as follow



Now turn rotary encoder in clockwise direction to increase time period value or in counter- clock wise direction to decrease time period value. System allows only value between 90 and 180sec. By pushing rotary encoder S2 display is changing and system accepts adjusted value.

Adjust backlight of LCD and BW508R

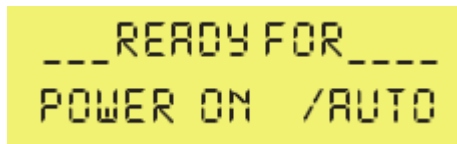
If you want to adjust backlight of LCD and BW508R .Please turn rotary encoder in clockwise direction to brighten, in counter- clock wise direction to dim.

Operational mode

Automatic

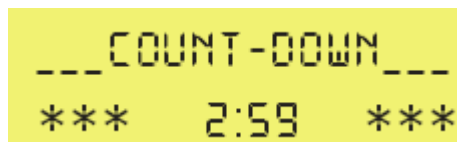
System can be switched on by external systems (ship's heading or track control system)

By turning key switch S1 left once. System is in AUTO mode. Auto indicator is on. Display is showing as follow.



___READY FOR___
POWER ON /AUTO

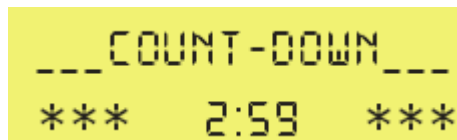
When ship's heading or track control system is activated, system's running is triggered. Count-down is active as shown on display as follow.



___COUNT-DOWN___
*** 2:59 ***

Manual ON

Authorized person (Master) switches on system by turning key switch S1 left twice. Count-down is active as shown on display as follow.



___COUNT-DOWN___
*** 2:59 ***

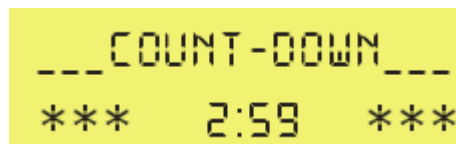
Manual OFF

Master is able to shut down system by turning key switch S2 left for longer than 2 sec .

Operation

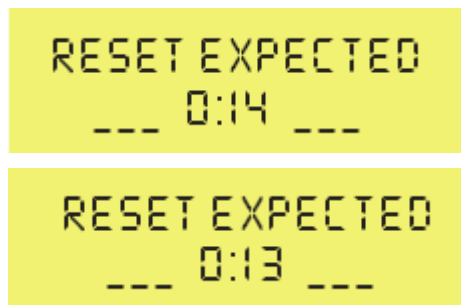
Dormant

Turn the key to choose the operational mode. After system running is triggered. Dormant (main) period count-down is active as shown on display as follow.



Visual indications

If dormant period (Td) is over without OOW's reset, system activates all illuminated reset units by 1Hz flash light. Display is showing in 1Hz toggle mode display



1st Stage Alarm

If dormant (main) period, visual indications (15 sec) are over without OOW's reset, system additionally activates 1st Stage Alarm located on bridge wing area. Display is showing in 1 Hz toggle mode display as follow.

RESET EXPECTED
--- 0:14 ---

ALARM STAGE1
--- 0:13 ---

2nd Stage Alarm

If dormant (main) period, visual indications (15 sec) and 1st Stage Alarm (15 sec) are over without OOW's reset, system additionally activates 2nd Stage Alarm. Display is showing in 1 Hz toggle mode display as follow

ALARM STAGE 2
-----0:89-----

ALARM STAGE 2
-----0:88-----

3rd Stage Alarm

If dormant (main) period, visual indications (15 sec), 1st stage Alarm (15 sec) and 2nd stage Alarm (90 sec) are over without OOW's reset, system additionally activates 3rd Stage Alarm. Display is showing as follow

RESET EXPECTED
ALARM STAGE3

GENERAL ALARM
RELEASED

Reset

OOW resets system by pushing reset button of BW508R or BW508RA1, and also can push rotary encoder on BW508MAIN.

Every reset is re-starting complete count-down.

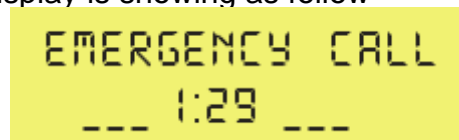
External reset devices input switching value input to reset alarm.

We offer motion detectors BW508PIR. It's operating instruction refers to the interleaf.

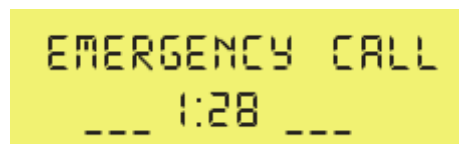
Emergency call

OOW is able to generate an emergency call by pushing Emergency call button on BW508MAIN

This activates without delay 2nd Stage alarm and subsequently 3rd Stage alarm later on. Display is showing as follow



EMERGENCY CALL
--- 1:29 ---



EMERGENCY CALL
--- 1:28 ---

Emergency Call feature is also activated when system is shut-down!

Emergency Call reset is possible by pushing Emergency call button again.

Transfer of alarms

Other equipment can transfer an alarm to system by switching value

immediately actuate the “Emergency Call” system. Display is showing as follow



System output

Status output (bit rate 4800bps)

Any change of system settings for mode or changing dormant period, and with any activated and reset alarm can be sent to (VDR) by using the switching value or ALR sentence.

For example:

```
$BNALR,,000,A,V,C1=AUT;C2=03;C3=1*hh<CR><LF>
```

Explanation:

C1: System is in auto mode.

C2: Td is 3min.

C3: 1st Stage Alarm is activated.


Security

The means of selecting the Operational Mode and the duration of the Dormant Period (Td) shall be security protected so that access to these controls should be restricted to the Master or someone with the key.

Test

BW508 owns a test mode procedure to check all output relevant devices (alarm panels, external buzzers, links to alarm devices, and system failure contact) in a very comfortable manner.

To reach this “test mode” an authorized person has to “switch off” system. After that authorized person keep pushing rotary encoder S2 and switch on system at the same time. System starts in “test mode 1” and display is showing as follow




```
TEST MODE1 OFF  
ALARM ON BRIDGE
```

1st Stage Alarm is activated as long as S2 is pushed again. The 1st Stage Alarm indication on BW508CONN is on. Display is showing as follow



```
TEST MODE1 ON  
ALARM ON BRIDGE
```

After a.m. test in “test mode 1” is done, user has to turn S2 clockwise to reach “test mode 2”. Display is showing as follow



```
TEST MODE2 OFF  
OFFICERS ALARM
```

2nd Stage Alarm is activated as long as S2 is pushed again. The 2nd Stage Alarm indication on BW508CONN is on. Display is showing as follow



```
TEST MODE2 ON  
OFFICERS ALARM
```

After a.m. test in “test mode 2” is done, user has to turn S2 clockwise to reach “test mode 3”. Display is showing as follow



TEST MODE3 OFF
ALARM STAGE 3

3rd Stage Alarm is activated as long as S2 is pushed again. The 3rd Stage Alarm indication on BW508CONN is on. Display is showing as follow



TEST MODE3 ON
ALARM STAGE 3

After a.m. test in “test mode 3” is done, user has to turn S2 clockwise to reach “test mode 4”. Display is showing as follow



TEST MODE4 OFF
DEVICE FAILURE

Device’s failure contact opens as long as push button S2 is pushed again. The devices failure indication on BW508CONN is off. Display is showing as follow



TEST MODE4 ON
DEVICE FAILURE

For finishing “test mode” procedure “switch off” system by turning key switch S1 on BW508MAIN left again for longer 2 sec.

Malfunctions

Main power failure

Power failure indicator L1 and buzzer alarm of BW508MAIN auto turns on, then the power will be supplied by storage battery.

Meanwhile, the POWER light of BW508MAIN goes off and BW508MAIN outputs power failure relays to external equipments.

Press rotary encoder S2 to mute the buzzer but the power failure indicator L1 is still on until failure solved.

Battery supply

When the supply of Main power is off, the power failure indicator and Emergency Call facility can be operated with battery supply for a period of 6h.

Malfunctions indication

Run normally indicator L2 on BW508MAIN is off.

Run normally indicator on BW508CONN is off.

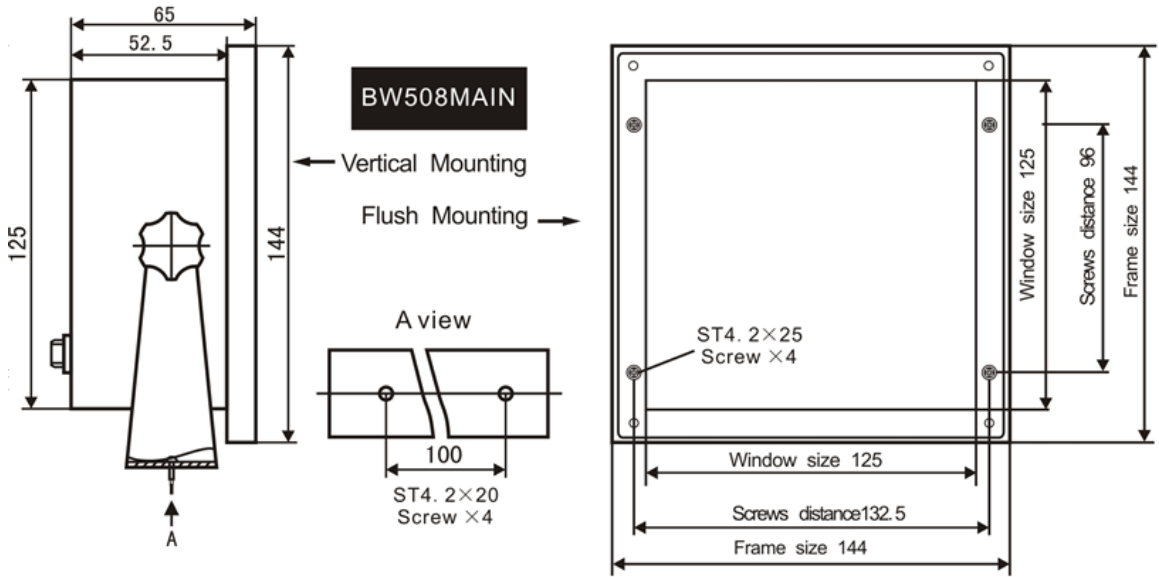
Malfunctions output

System can output switching value for connection to central alarm panels to repeat the malfunction indication.

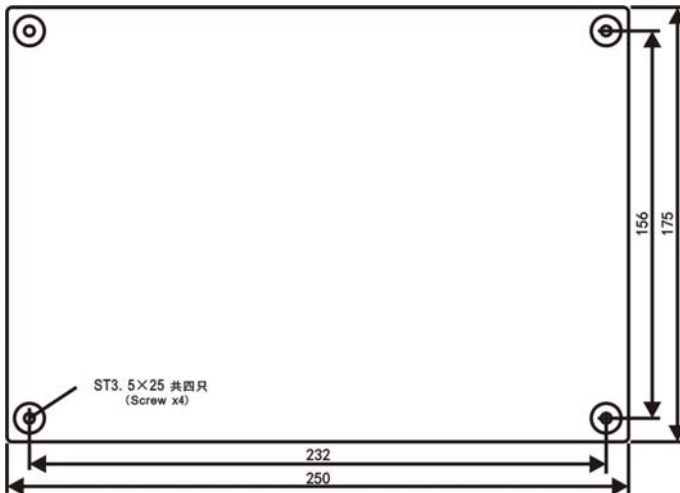
System Installation

Installation dimension

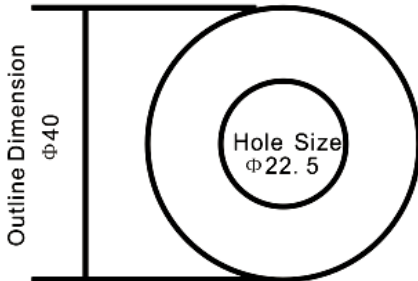
BW508MAIN unit : mm



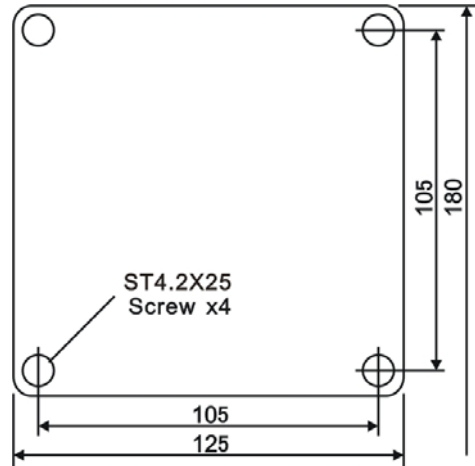
BW508CONN



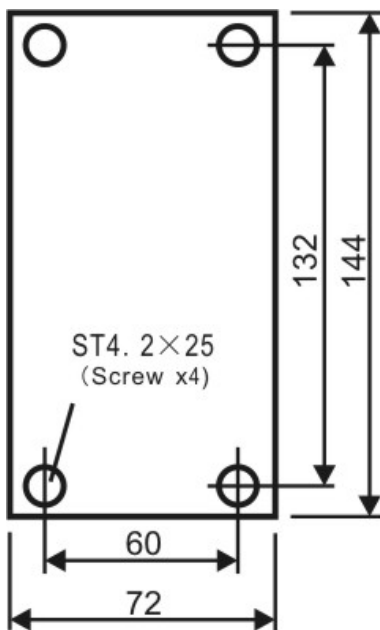
BW508R-A
Flush Mounting



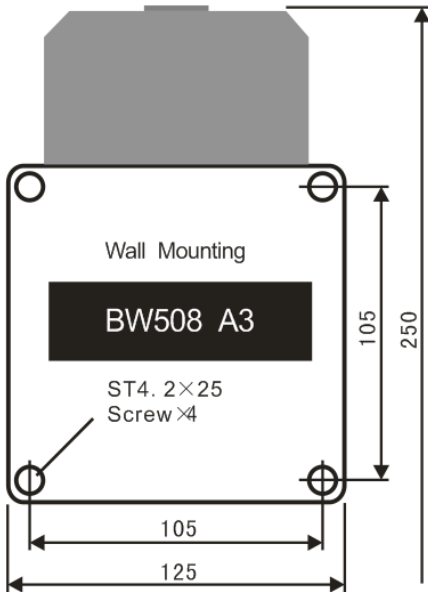
BW508R-B/RA1/A2-A
Wall Mounting



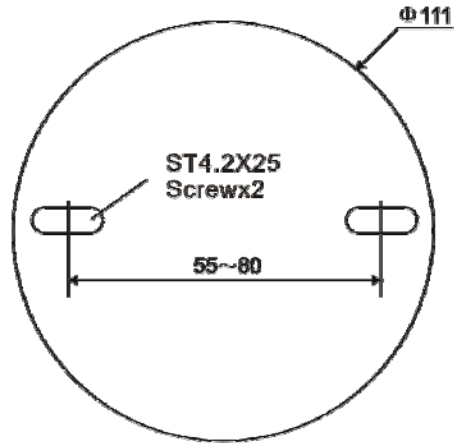
BW508A2-B
Flush Mounting



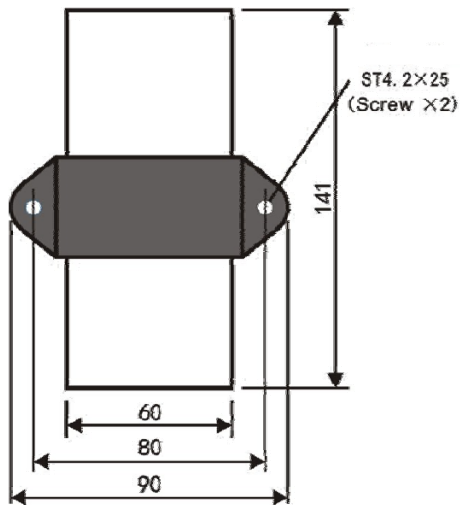
BW508A3-A Wall Mounting



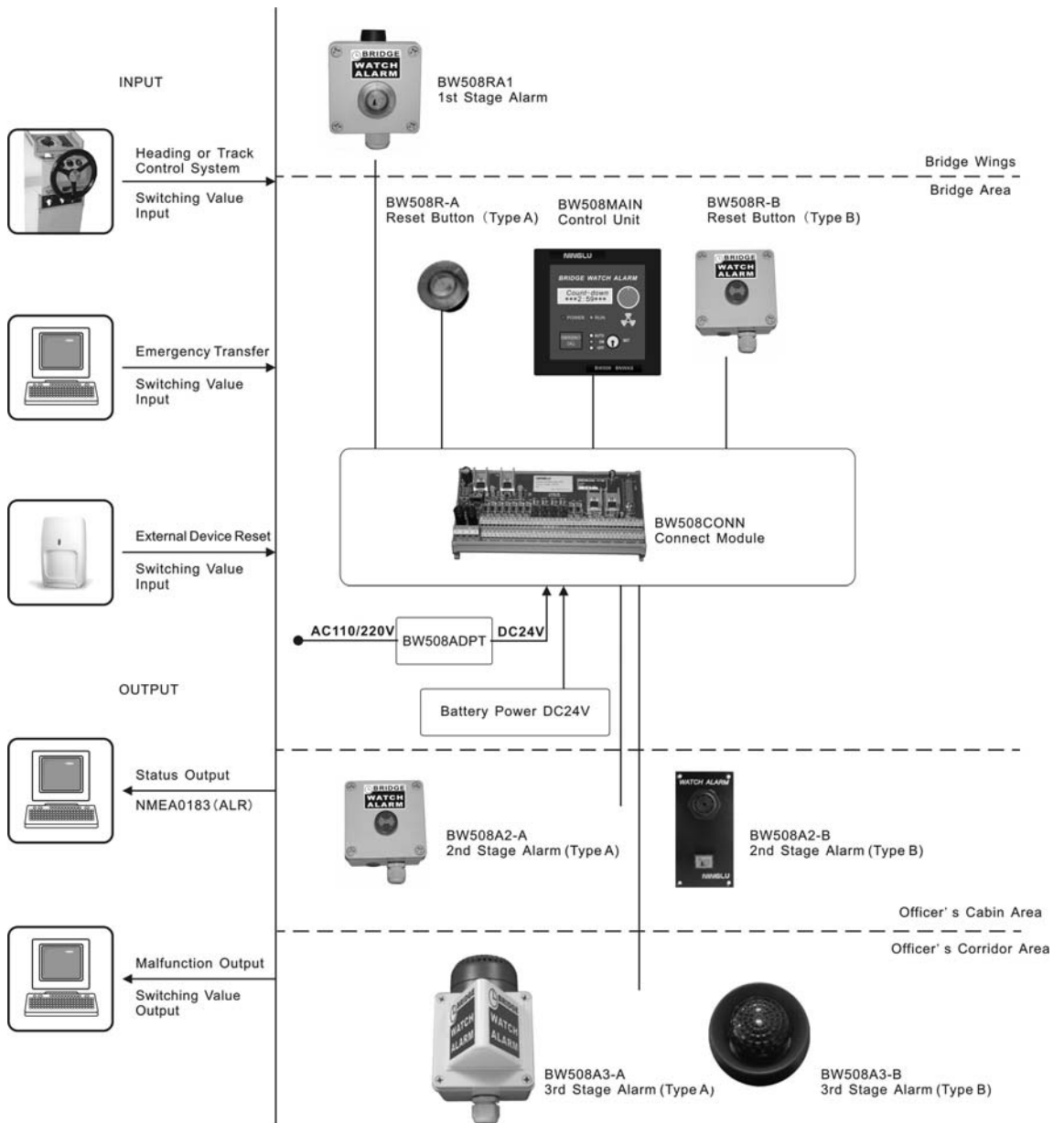
BW508A3-B Wall Mounting



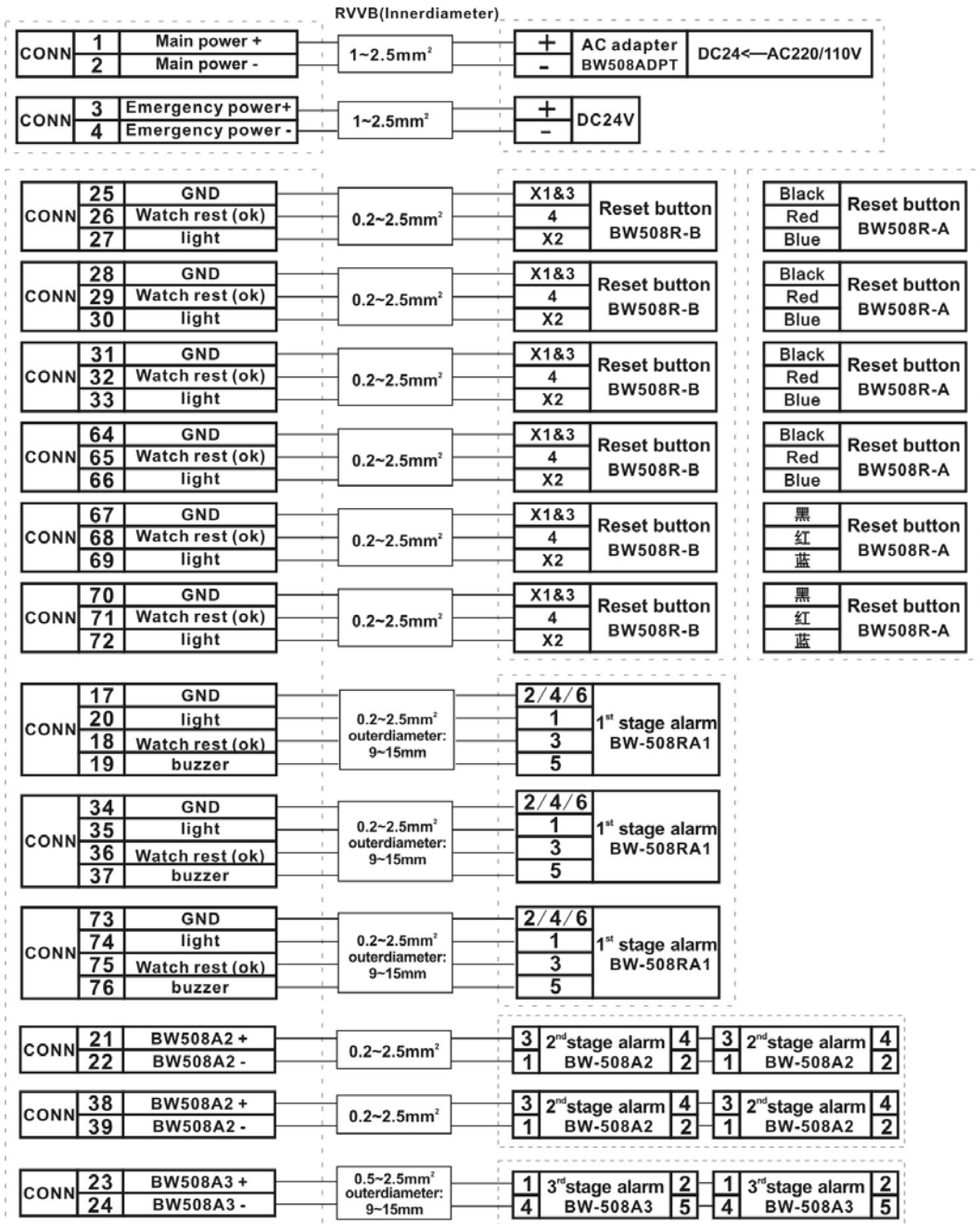
BW508ADPT Wall Mounting



System Diagrams



BW508 Internal Wiring Diagram



BW508 External Wiring Diagram

