

# NWZ-4610 Multi Info Display



RMS

– the highly cost-effective Multi Info Display (MID) offers a versatile and economical installation

- 4.5-inch high brightness display**
- Dual color LED backlight**
- Power distribution up to 3 displays**
- Data and dimmer share up to 10 displays**
- 3 in/outputs (NMEA0183)**

# Features

## Features

The 4.5-inch intelligent Multi Info Display (MID) features an aesthetic and harmonized design which is a new addition to JRC's comprehensive product line.



## Dual LED backlight

The JRC MID incorporates many display modes readily available on a highly visible 4.5-inch LCD display. Besides the display being fully dimmable and having backlit keys, it features dual LED backlight (white and orange), making it easy to operate in various light settings on the bridge.

## Data and dimmer share

This cost-effective concept allows full NMEA0183 data sharing for up to 10 displays. The same applies for dimmer share. By changing the intensity on one of the units, it automatically shares the new settings to the other displays.



## Power distribution

Also, one of the new features is DC power distribution. When powering one of the displays, this daisy chain concept distributes power to two additional units, which allow for an easy, flexible and economical installation approach.



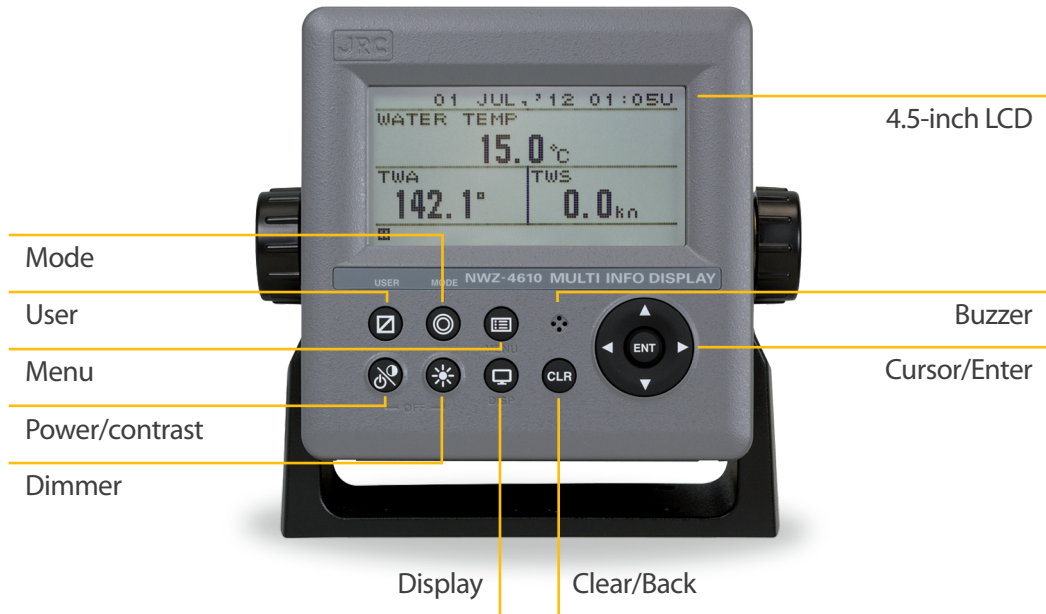
## A greener product

JRC recognizes its responsibility as a global corporation and is continually striving to reduce environmental impact. The NWZ-4610 is designed to suit our eco symbol marking.

# Operation

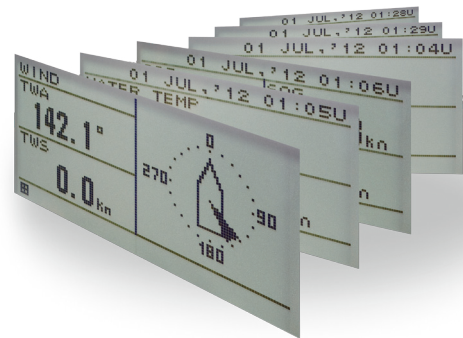
## Uniform operation

In keeping with the company's philosophy of an easy to use Man Machine Interface, the new generation displays have allowed JRC's engineers to develop an exciting new software approach for uniform operation.



## User modes

You can pre-set three different user modes and at the same time easily switch between the chosen modes. Additionally, up to six different screen layouts can be allocated per mode, which allows you to switch at your own convenience, particularly useful when a situation requires specific information.



## Long LCD life

The LCD has a life span of 50,000 hours that equals roughly 6-years of continuous, 24/7 operation - regardless of the LED backlit color selected.

## No flush mount kit

With JRC's new design approach, a flush mount kit is not required and screws are nicely concealed behind the front cover.

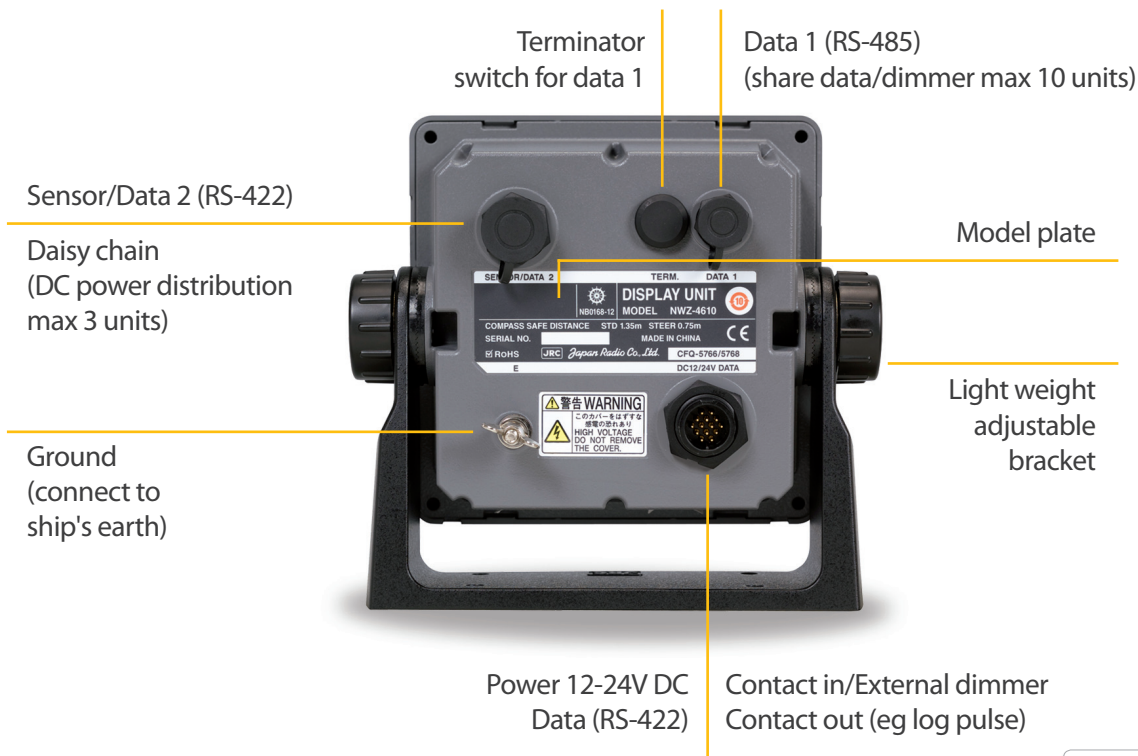


# Flexibility

## Interfacing

Interfacing is made easy and cost-effective. The display is equipped with three serial ports, each able to send or receive data. Not only can it repeat many different types of data, you can also turn the unit into a MED\* type approved (D)GPS or speed log. The software is integrated in the unit, so by simply connecting the appropriate sensor/peripherals, a cost-effective unit is born, which allows for even more redundancy onboard your vessel.

\*Please contact Flag State/Classification Society to register MID with a post-installed sensor as a MED type approved equipment.



## Alarms

The NWZ-4610 incorporates eight different alarms and for each you can set particular values. The alarm will go off (sound and/or LCD backlight color change) when a pre-set value is over, under, in or out of range. The alarm history can be exported to PC\*, and after completion, output data port returns to your saved settings automatically.

\*Using Data (RS-422)

1. Speed
2. Trip
3. Water temp
4. Depth
5. Wind
6. Air temp
7. Pressure
8. Humidity

## In the box

- Display + Bracket
- Data/Power cable (2 m)
- Plates + Manual

## Options

- Power supply NBD-577C
- T-connector 5JCDX00071
- Junction box CQD-10A
- Dimmer unit NCM-227

## Cables

- Data/Power cable (2 m) CFQ-5766A
- Data/Power cable (10 m) CFQ-5766D
- Data/Power cable (20 m) CFQ-5766F  
(14-core Data/Power cable includes (1A fuse) in holder, data, power, contact)
- Data cable (3 m) CFQ-5767  
(4-core Data only cable for connecting to external sensor)
- Data cable (3 m) CFQ-5768  
(6 to 14-core Data cable for daisy chain - power distribution)
- Data cable (3 m) CFQ-5769  
(4-core Data cable - RS485 - for data/dimmer share)

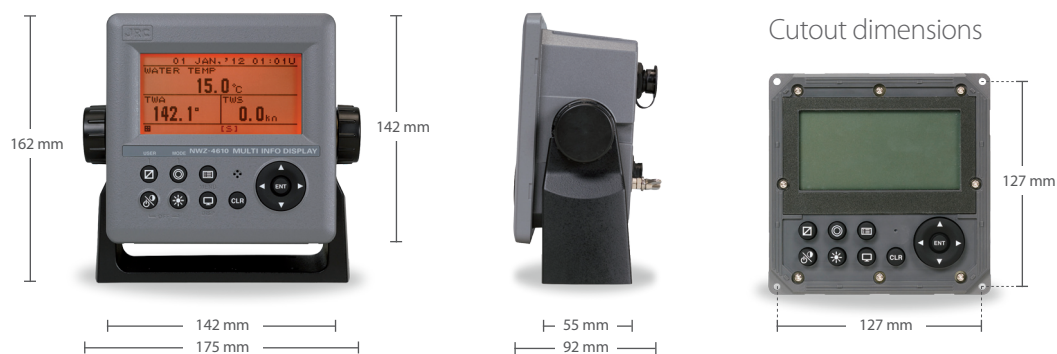


Japan Radio Co., Ltd.

# Weight and dimensions

## Display unit

NWZ-4610 Weight 600 g (+ bracket 130 g)



NMEA	Description	Used by
ACK	Acknowledge alarm	Several
CUR	Water current layer	Doppler current meter
DBK	Depth below keel	Echo sounder
DBS	Depth below surface	Echo sounder
DBT	Depth below transducer	Echo sounder, Doppler current meter
DPT	Depth	Echo sounder
GGA	GPS fixed data	GPS, GPS compass
GLL	Graphic position, LAT/LON	GPS, GPS compass
GNS	GNSS fix data	GPS, GPS compass
HDG	Heading, Deviation, Variation	Compass, Gyro
HDM	Heading, Magnetic	Compass, Gyro
HDT	Heading, True	Compass, GPS compass, Gyro
MDA	Meteorological composite	Meteorological sensor
MHU	Humidity	Meteorological sensor
MMB	Barometer	Meteorological sensor
MTA	Air temperature	Meteorological sensor
MTW	Water temperature	Water temp sensor, Echo sounder, Fishfinder
MWV	Wind speed, Angle	Anemometer
RMC	Recommended min. specific GNSS data	GPS, GPS compass
ROT	Rate of turn	ROT sensor, GPS compass
RPM	Revolutions	Engine
RSA	Rudder sensor angle	Autopilot
THS	True heading, Status	Compass, GPS compass, Gyro
VBW	Dual ground, Water speed	Speedlog, Doppler current meter
VDR	Set, Drift	Doppler current meter
VHW	Water speed, Heading	Sonar
VLW	Dual ground, Water distance	Sonar
VTG	Course over ground, Ground speed	GPS, GPS compass
VWR	Relative wind speed, Angle	Anemometer
VWT	True wind speed, Angle	Anemometer
XDR	Transducer measurement	Several: Temp, Angular displacement, Linear displacement, Frequency, Force, Pressure, Flow rate, Tachometer, Humidity, Volume, Voltage, Current, Switch or valve, Generic GPS, GPS compass
ZDA	Time, Date	

# Specifications

	NWZ-4610
RoHS	✓
Display unit	4.5-inch monochrome LCD (128 by 64 dots)
Backlight	White and orange LED selectable
Dimmer levels	Bright, medium, dark, off
Dimmer control	Keys or external control
Contrast	13 levels
Keys	12 (backlit) keys
Power supply voltage	10.8-31.2V DC (optional power supply 100-120V/200-240V AC)
Power consumption	Less than 2.5W
Alarm indication	Sound and/or LCD backlight color change
Display modes	6 (full screen, two sections, three sections, four sections, special, graphic)
Graphical display mode	Speed, Rudder angle, Wind direction, Water depth, Water temp
Selectable units	Speed/Wind: kn, km/h, mi/h, m/s, Temp: °C, °F, Distance: NM, km, mi, m, Depth: m, ft, fm
Interfacing	Power/Data: 12-24V DC, serial 3 in/output (RS-422), contact 1 in/output Data 1: serial 1 in/output (RS-485 ) for data/dimmer sharing Sensor/Data 2: serial 1 in/output (sensor) or daisy chain
NMEA0183 version	1.5, 2.1, 2.3, 4.0
Bit rate	RS-422: 4800, 9600, 19200, 38400 RS-485: 38400, 57600, 76800, 115200
Data/dimmer share	NMEA data/dimmer share up to 10 units (RS-485)
Power distribution	Daisy chain up to 3 units
Languages	English, Japanese
Software update	Through PC
Diagnosis	ROM, RAM, serial ports, LCD, Buzzer
Demo mode	Built-in
Installation	Flush, Table
RMS	Available
Ambient conditions	Temperature: -15 to 55°C (operating) -25 to 70°C (storage) IP protection rate: IP55 Relative humidity: 0% to 93% non-condensing

## JRC offices around the world

Amsterdam   Hanoi   Manilla   Seattle   Taipei  
Athens   Hong Kong   New York   Shanghai   Tokyo  
Hamburg   Jakarta   Rio de Janeiro   Singapore

## Authorized reseller

[jrceurope.com](http://jrceurope.com)