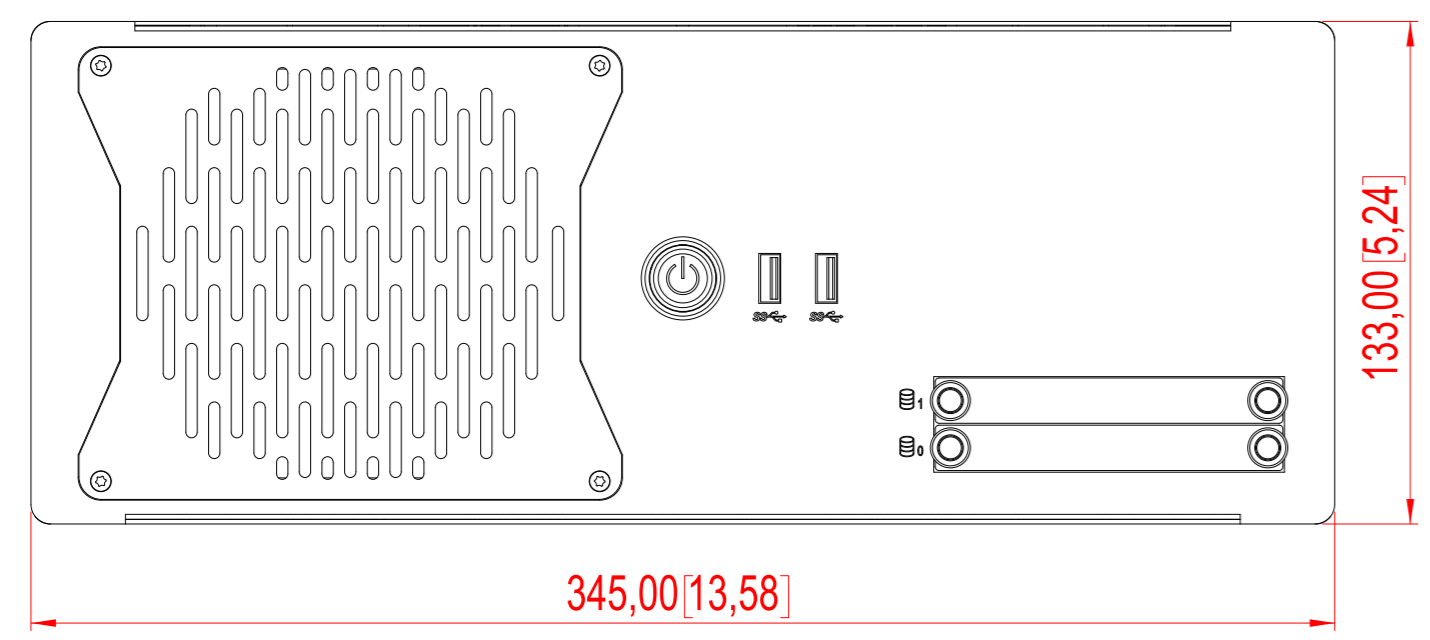
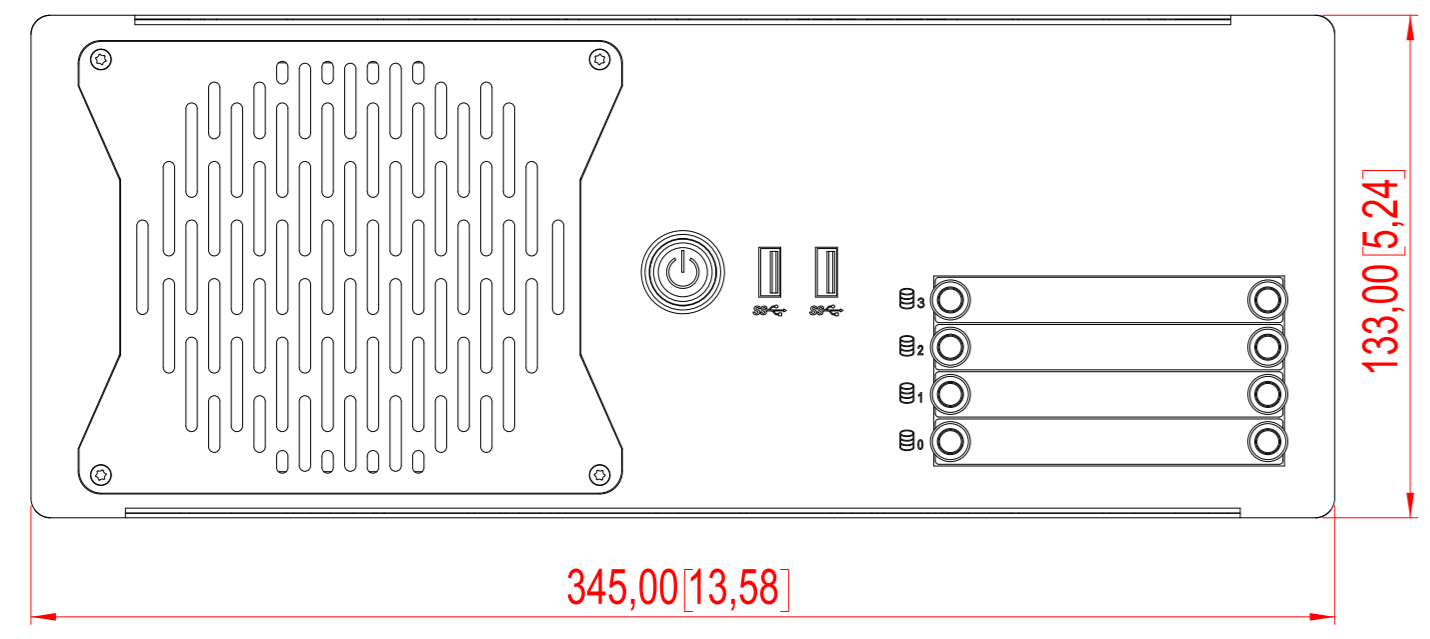


This document is the property of Hatteland Technology AS. This document and any authorized reproduction thereof, must not be used in any way against the interest of Hatteland Technology AS. Any authorized reproduction, in whole or in part, must include this legend.

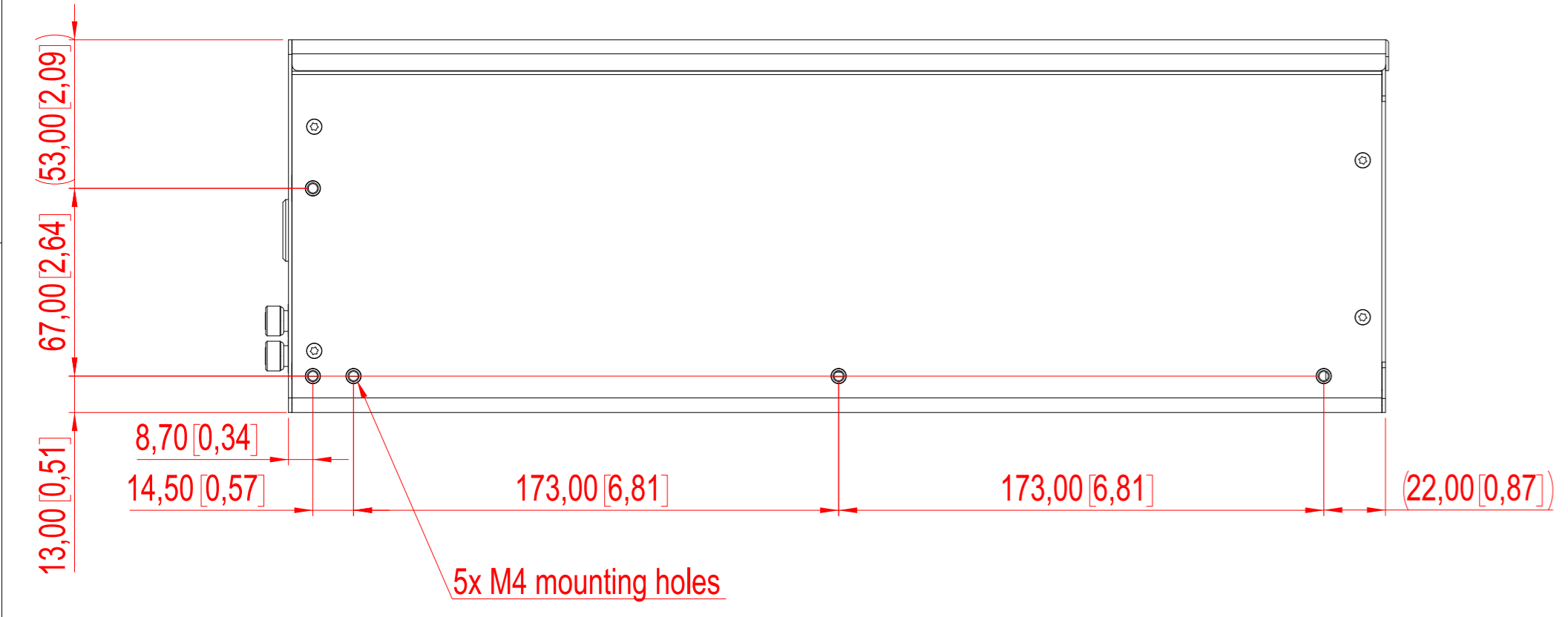
### FRONT VIEW (2-BAY)



### FRONT VIEW (4-BAY)

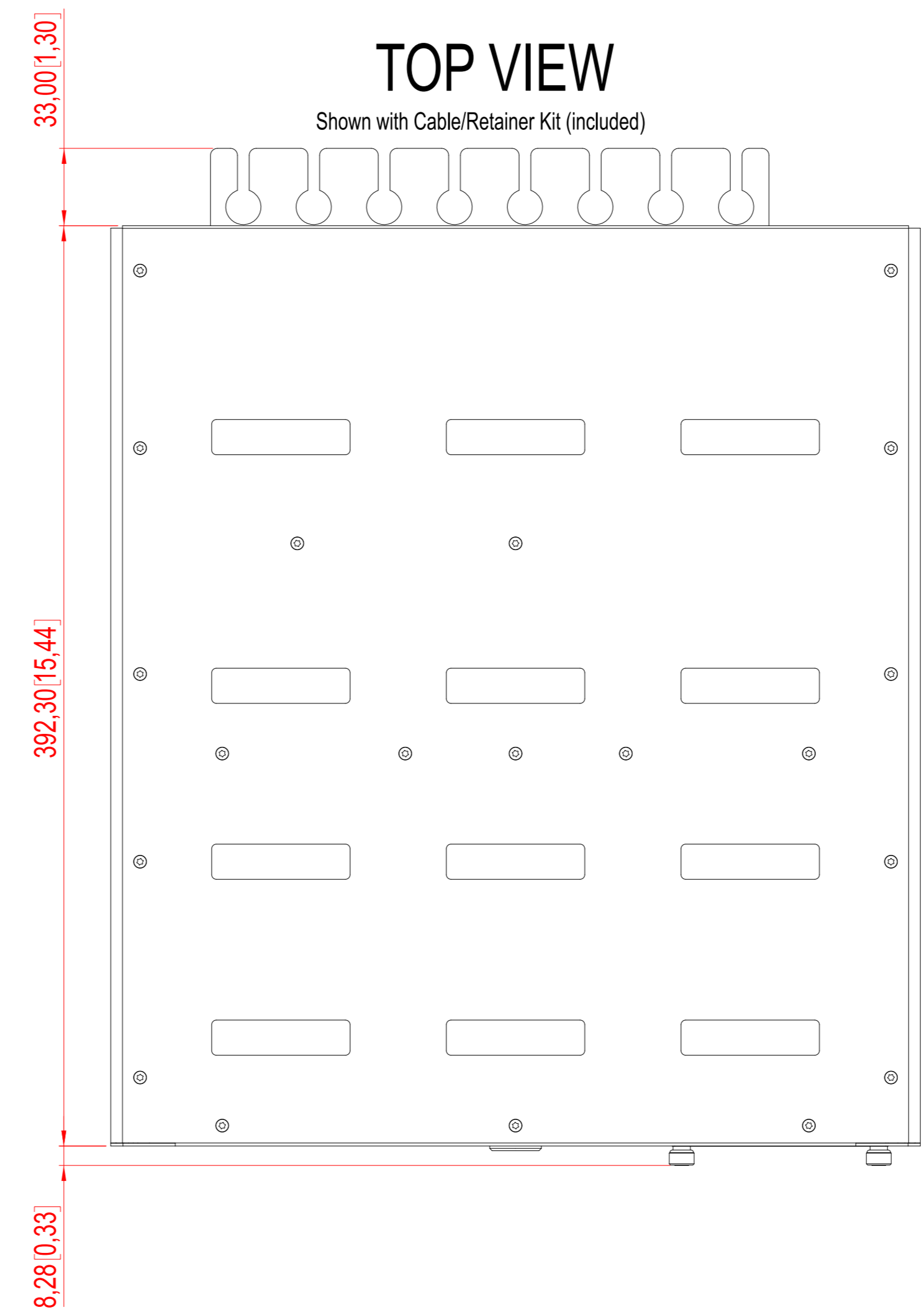


### SIDE VIEW

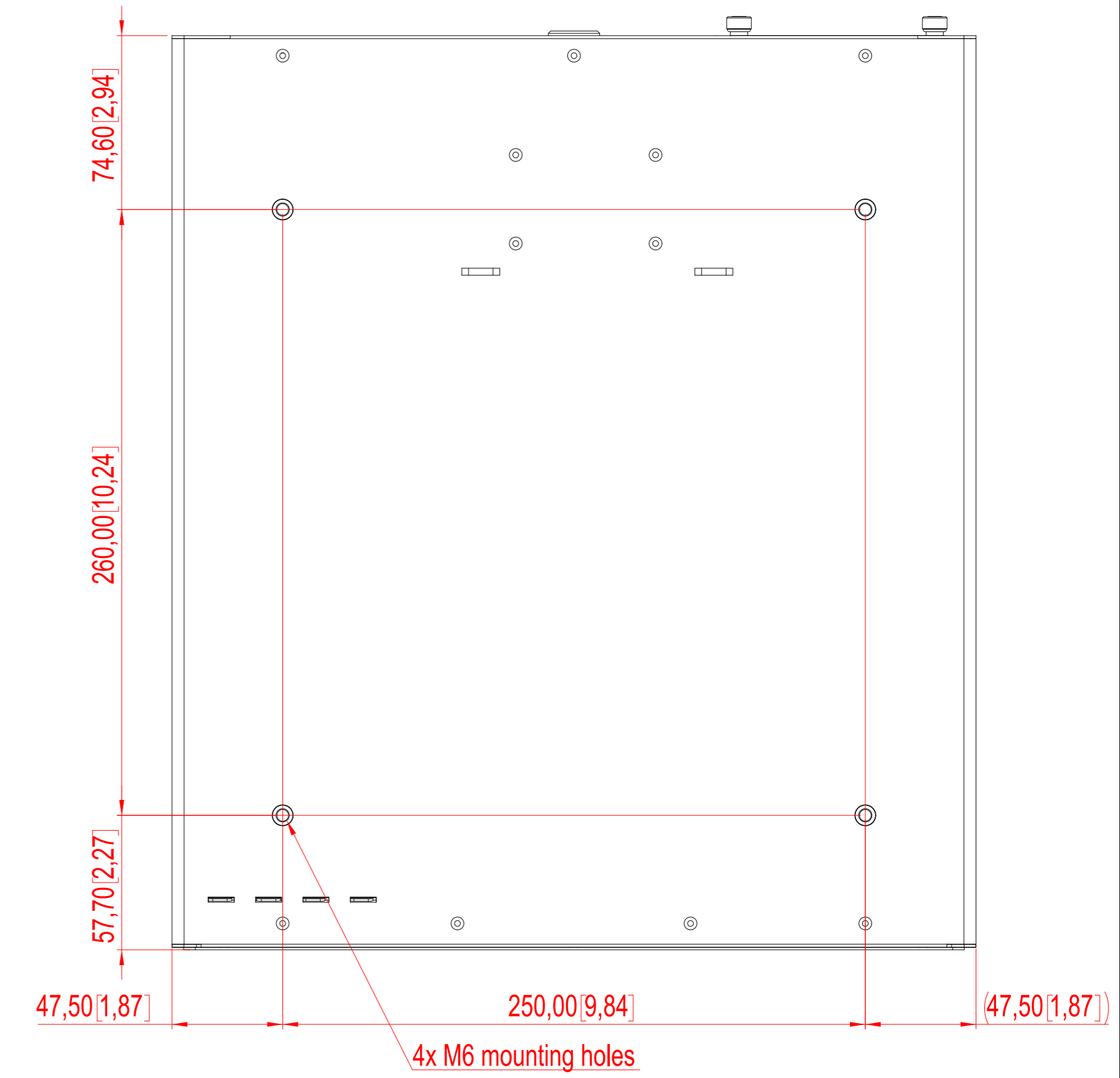


### TOP VIEW

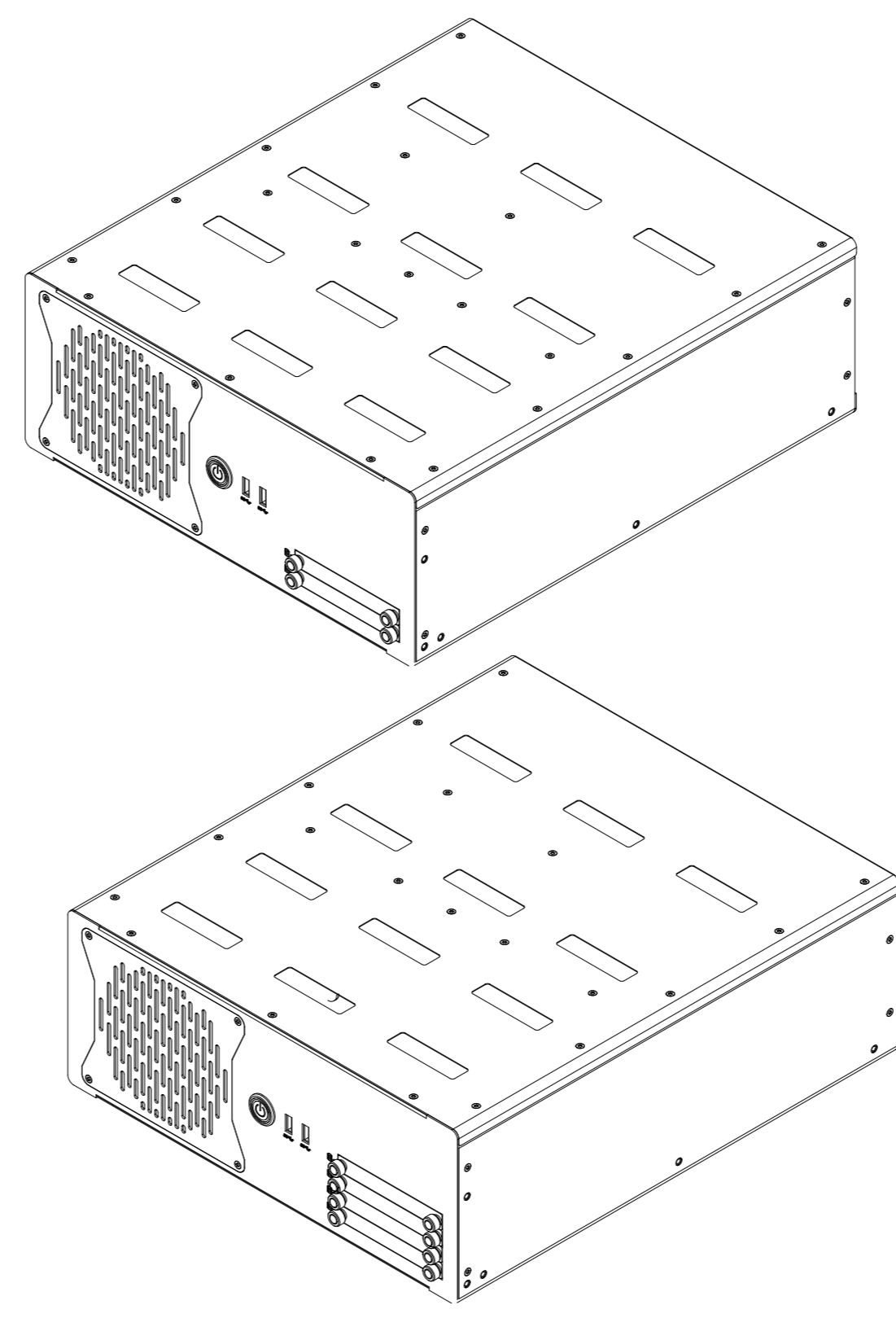
Shown with Cable/Retainer Kit (included)



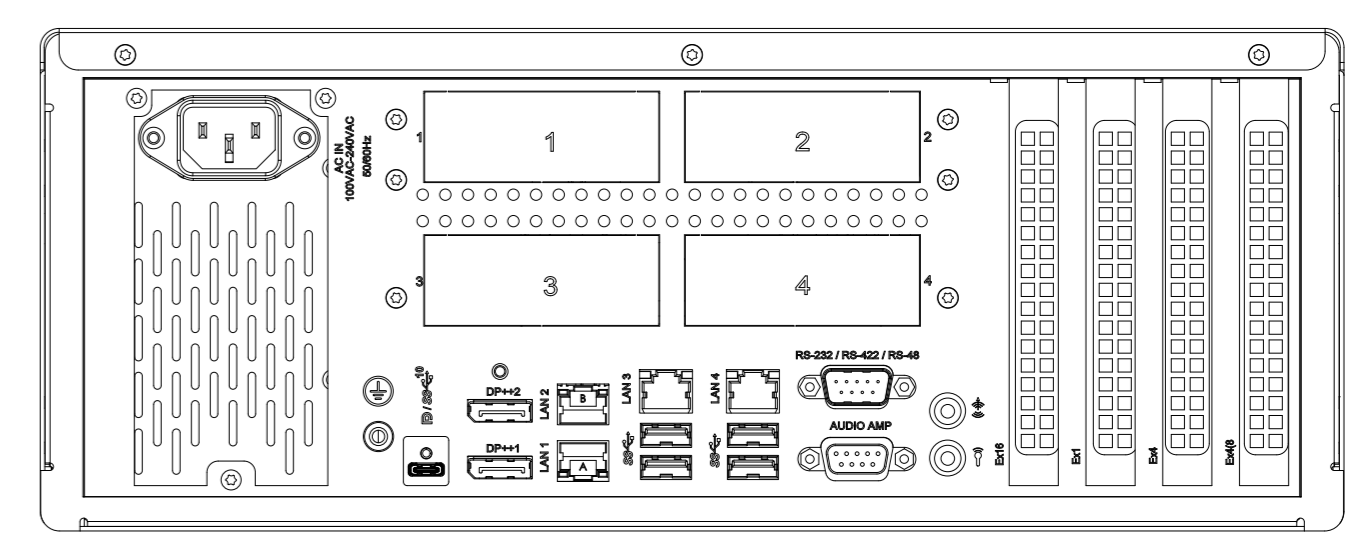
### BOTTOM VIEW



### DIMETRIC VIEWS

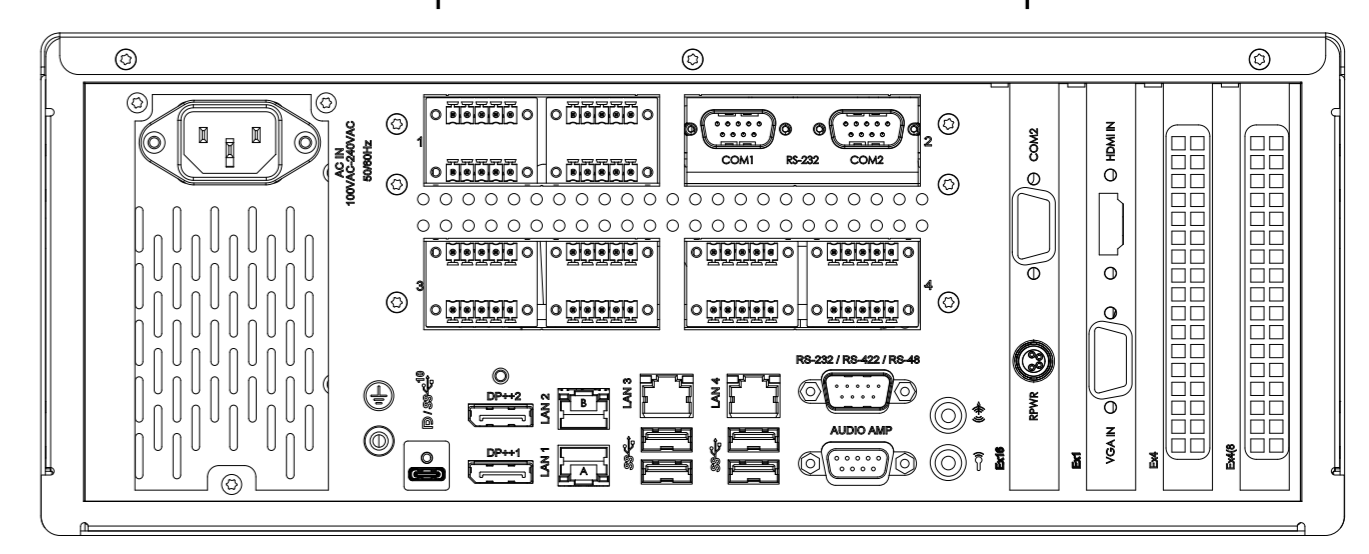


### BACK VIEW



### BACK VIEW

Shown with optional Modules and PCIe cards/options



**SALES DRAWING HTC03**  
Measurements generally applies for all HTC03-xx-AC xxxxxx models.

Units: mm [inches]

Creation date / by: / 20.10.20 7258	Projection:	A1	<b>HATTELAND TECHNOLOGY</b> an EMBRON Company ®
Last rev. date / by: /		Scale: 1:2	
Hatteland Technology AS Eikeskogvegen 52 N-5570 Aksdal		Tolerance: ISO 2768-mK	Approved by: _____ Revision: 01 Drawing number: A012767