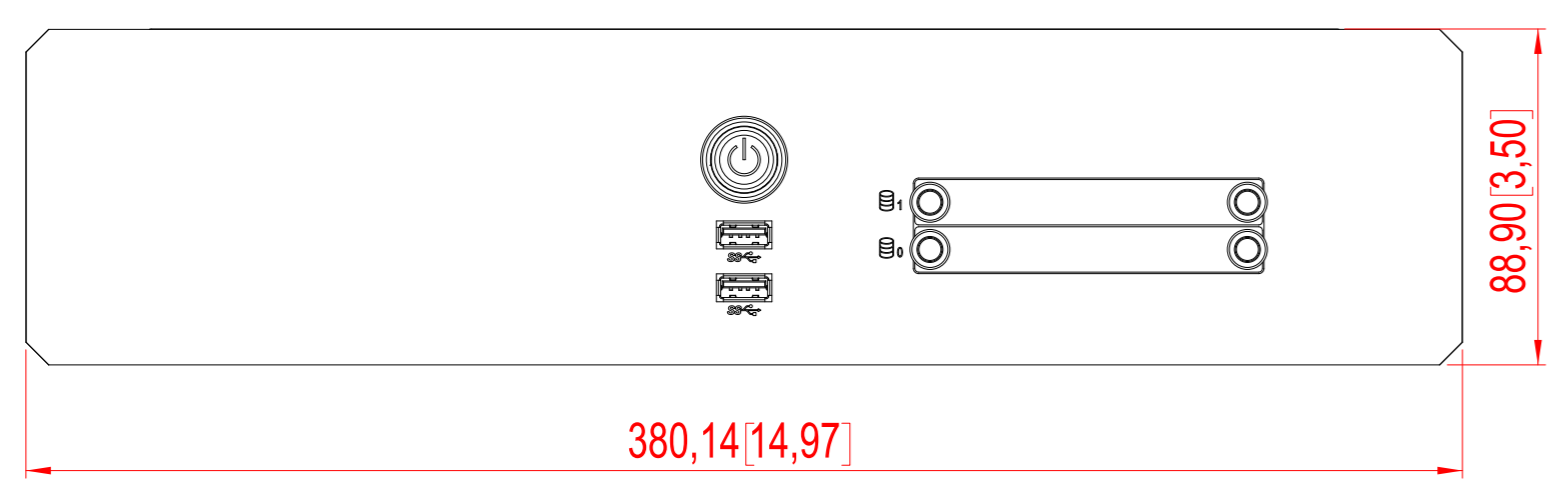
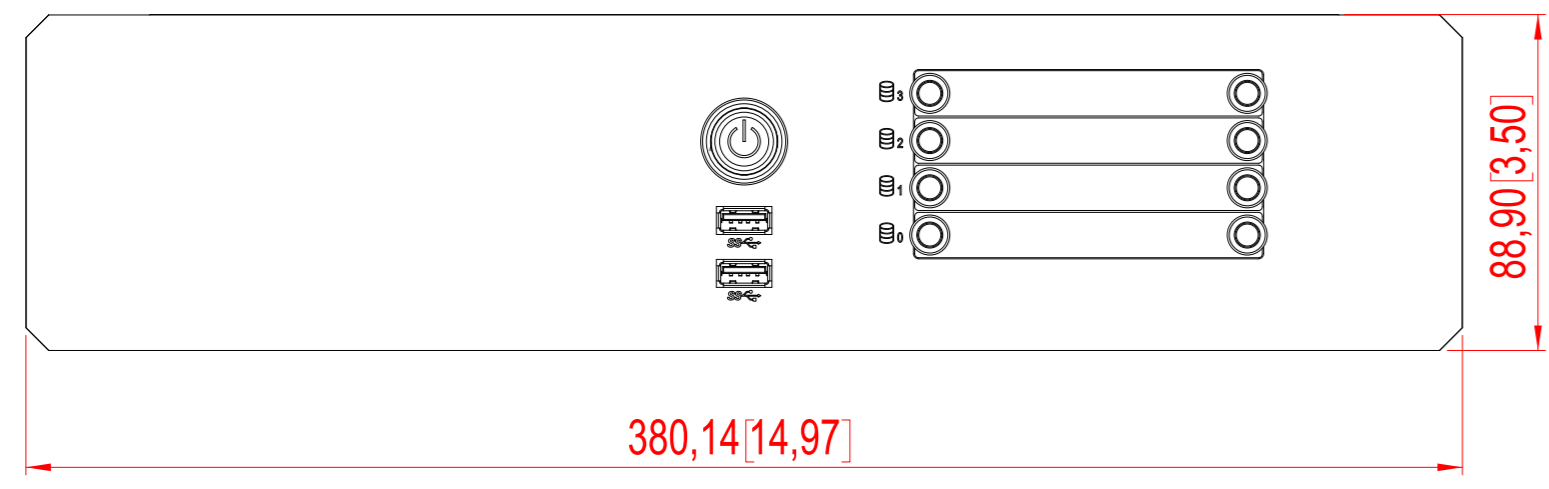


This document is the property of Hatteland Technology AS.
 This document and any authorized reproduction thereof, must not be used in
 any way against the interest of Hatteland Technology AS.
 Any authorized reproduction, in whole or in part, must include this legend.

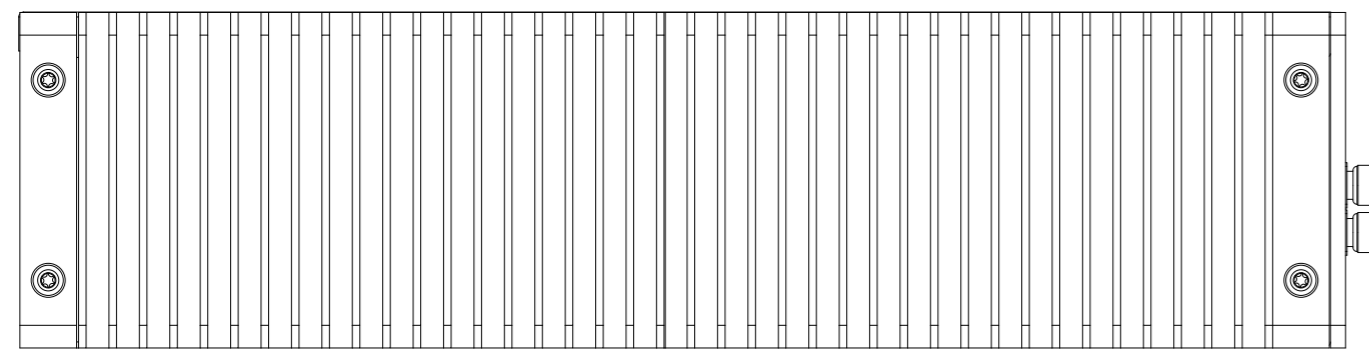
FRONT VIEW (2-BAY)



FRONT VIEW (4-BAY)

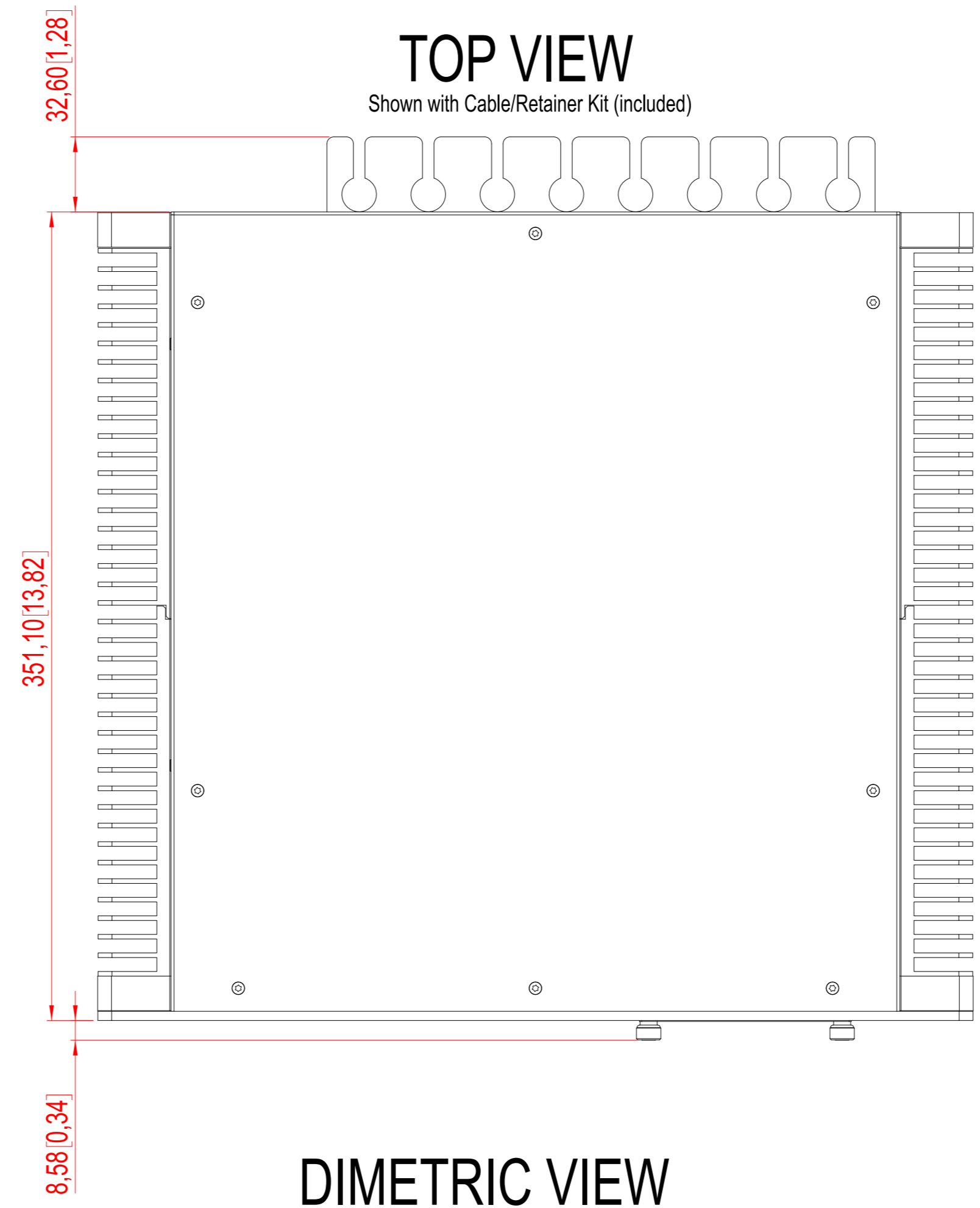


SIDE VIEW

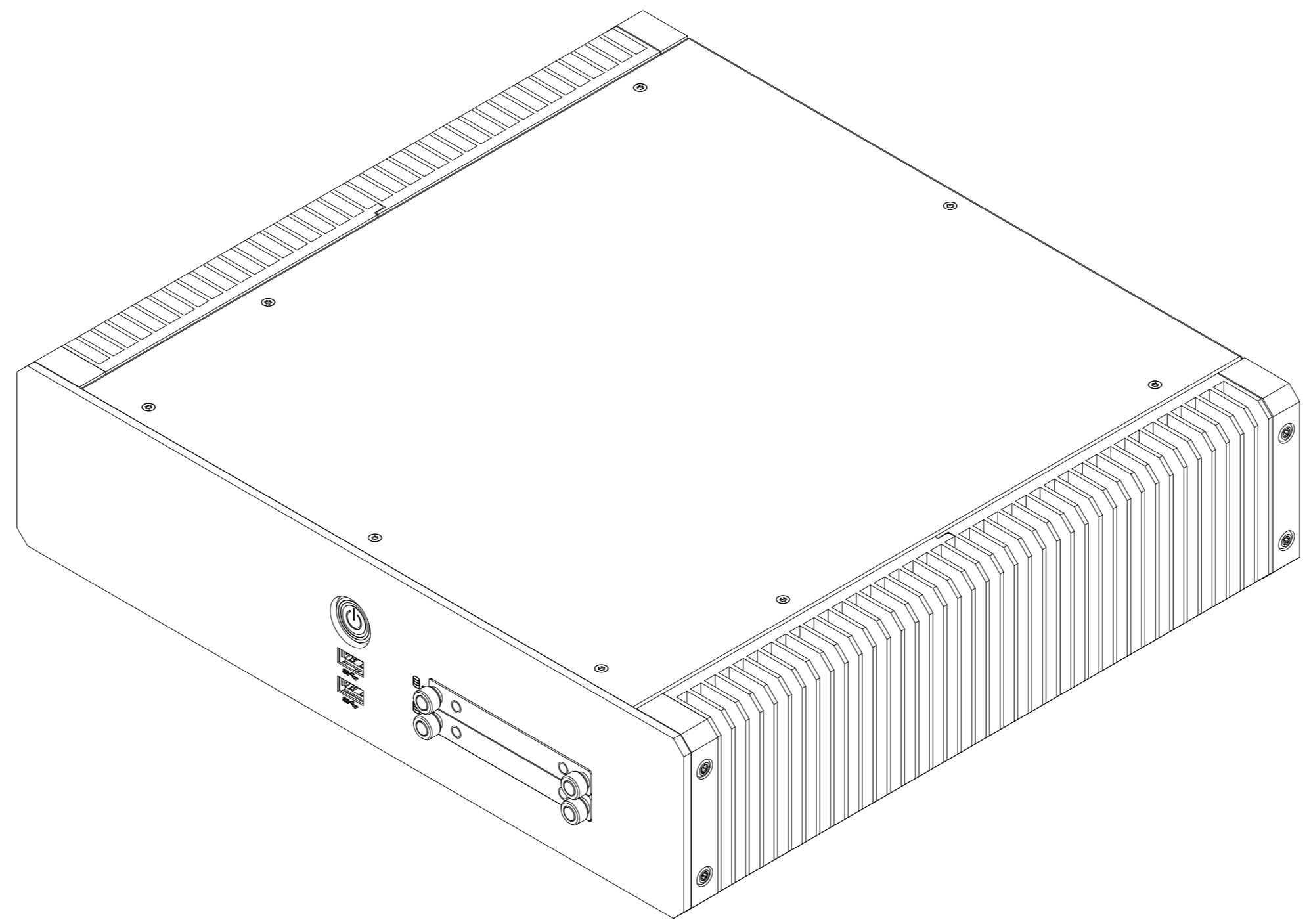


TOP VIEW

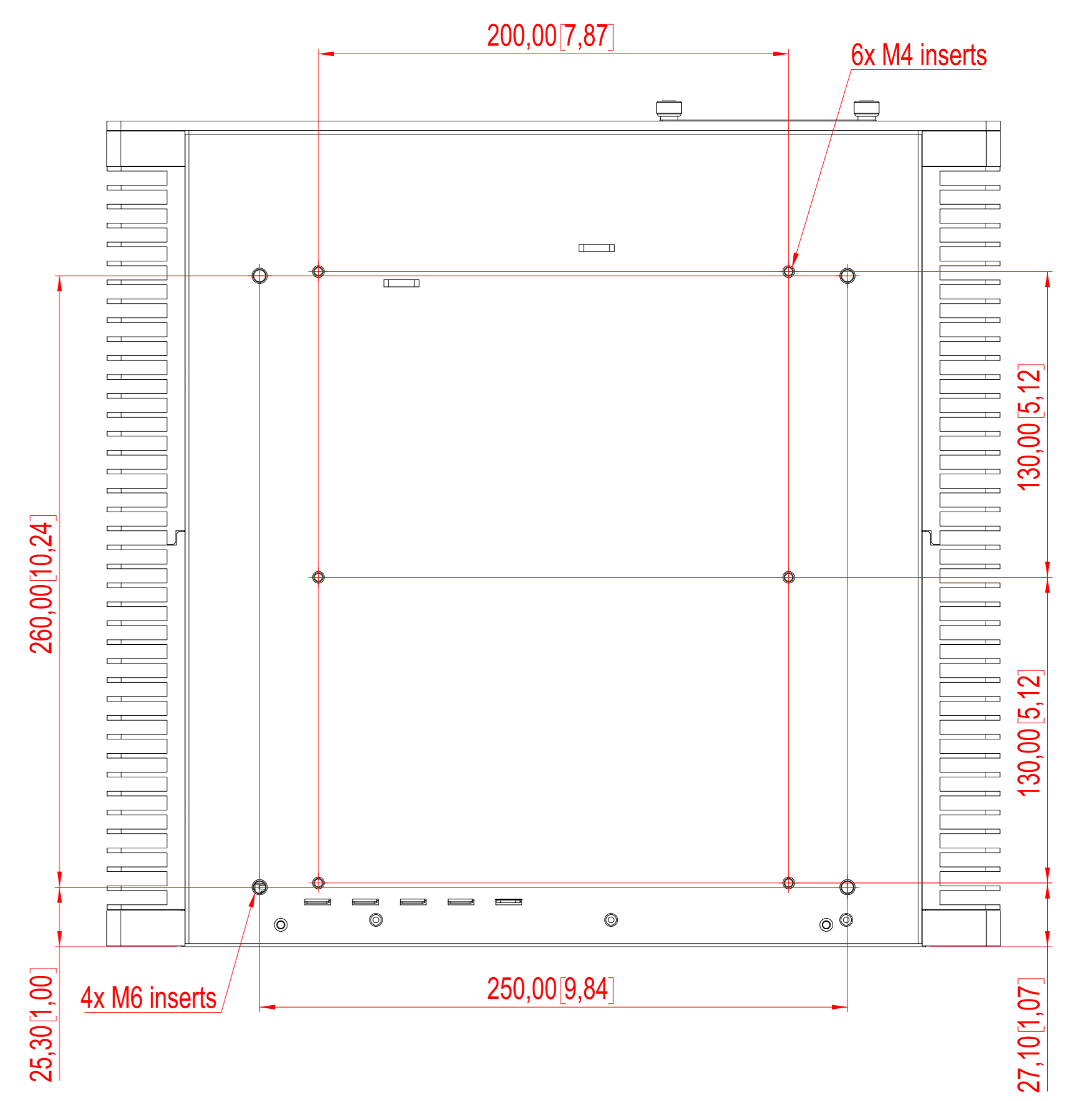
Shown with Cable/Retainer Kit (included)



DIMETRIC VIEW

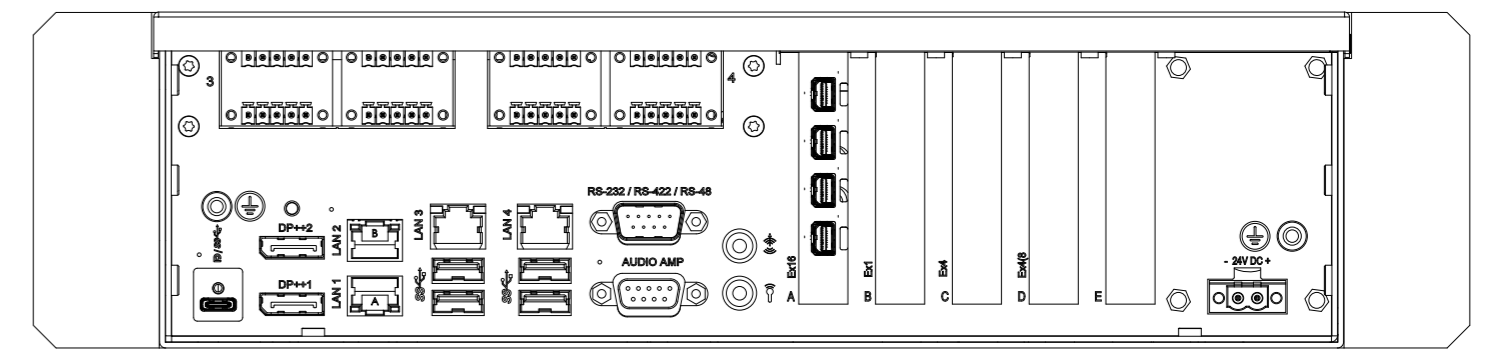


BOTTOM VIEW

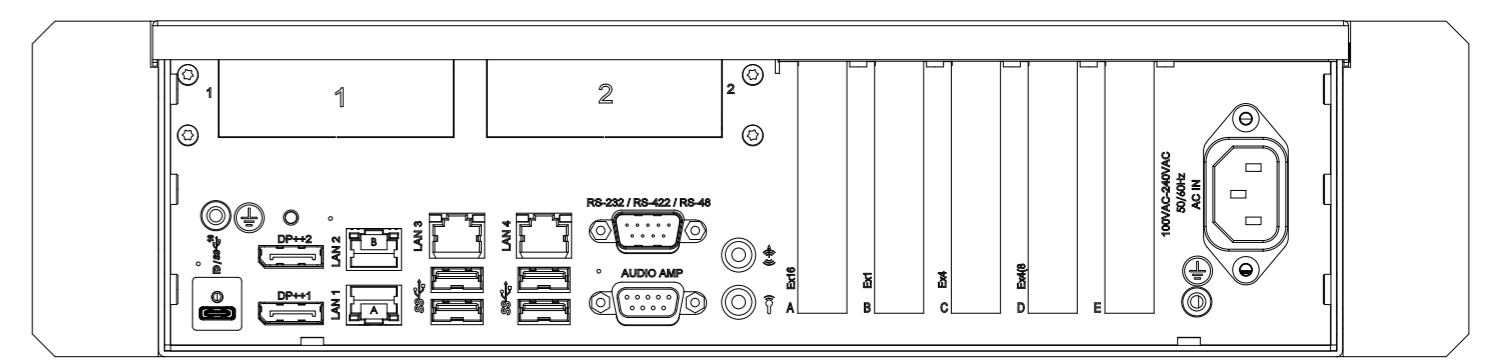


BACK VIEW (DC)

Shown with optional Modules and PCIe card



BACK VIEW (AC)



SALES DRAWING HT20370
 Measurements generally applies for all HT20370-xx-xx xxxxxxxx models.

Units: mm [inches]

Creation date / by: / 20.10.20 7258	Projection:	A1	HATTELAND TECHNOLOGY an EMBRON Company ®
Last rev. date / by: /	Scale: 1:2	Tolerance: ISO 2768-mK	
Hatteland Technology AS Eikeskogvegen 52 N-5570 Aksdal		Approved by: _____	Revision: 01
		Drawing number: A013041	